



PRIMEALUX

DURABLE · AFFORDABLE · GREEN

Affiliate of Orbit Aluminum Industries

SHAAPES

U N L I M I T E D

ALUMINUM BUILDING PRODUCTS

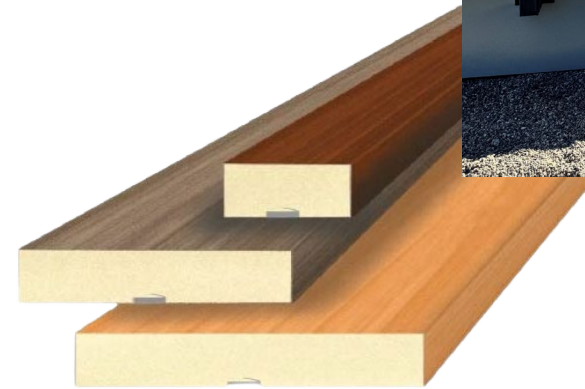
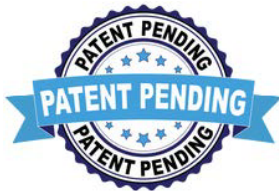
PRIMEALUX & SHAPES Unlimited

With our extensive geographic market coverage and longstanding fencing contractor relationships, SHAPES Unlimited has executed an exclusive market distribution agreement with PRIMEALUX. This relationship marries one of the global leaders in aluminum extrusion, with a coordinated collection of proprietary fencing, railing and exterior product offerings, all serviced via SHAPES quick-ship domestic inventories.

The unique combination of durable, attractive and sustainable products across a broad series of designs and applications under the PRIMEALUX brand, coupled with SHAPES 30 years of service excellence offers our targeted customers increased revenue, profitability and operational efficiency.

PrimeAlux Aluminum Fence

PrimeAlux Fence is a premium modular fencing system combining elegant design, high quality, and value. Our innovative insert slats are made of pre-painted aluminum coils with PU foam core providing superior flatness and strength while maintaining light weight.



Prime Aluminum Fence Features and Benefits

Unique Features and Benefits



Our fence system is ready to assemble, easy to install, and will surely add value to your home. The vibrant rich colors and textures will be guaranteed to sustain the look of your fence for years with minimal maintenance while it remains insect, stain, and mold-free.

PrimeAlux Fence variety of designs and configurations will enhance and complement your outdoor architecture.



Innovative
modern design



Lightweight &
high strength



Easy to install



Durable under extreme
weather conditions



Affordable &
maintenance free



Variety of
colours & natural
wood designs

PRIMEALUX Comparative Competitive Analysis

	Material	Weight Installation Complexity	Colors/Coatings Warranty	Price Comparison	Environmental Impact
PrimeAlux	PU foam core aluminum (lightweight, durable)	Lightweight with slide-in system, easy and fast to install	Wide range of colors, including realistic wood-like textures, premium coating, & long warranty	Affordable mid-end market	Eco-friendly; recyclable aluminum, produced with 50% solar power, 40% recycled content
Extruded Aluminum	Solid extruded aluminum (heavy, very durable)	Heavy, requires more handling effort & time	Various colors, but limited in textures. Certain colors may have long lead times	Premium high-end market	Recyclable aluminum, though wood effect by heat sublimation generates plastic film that is not easily recyclable.
Vinyl	Polyvinyl Chloride (PVC, lightweight but less impact-resistant)	Lightweight, easy to install	Several colors but less realistic (Artificial) looking	Affordable mid-end market	None biodegradable & recyclable; Production process involves the release of harmful chemicals, including dioxins
WPC (Composite)	Wood-Plastic Composite (WPC, dense and durable)	Heavier, more handling demand requires strong support and takes longer to install	Multiple natural colors; mimics wood textures well but fewer custom options, but less realistic (Artificial) looking	Mid to High end market	Although it contains wood fibers, which are organic, the plastic components—typically PVC, polyethylene, or polypropylene—are not biodegradable.

PrimeAlux Aluminum Fence Wind Load Test



Wind Load Test

Two Rail Privacy Horizontal Fence 6'x6'

The 6' x 6' Privacy Fence Panel has undergone wind load laboratory testing and demonstrated its strength by withstanding a force of 1102 Pound-force (Lbf). This performance equates to a wind resistance of up to 107 Miles per hour (Mp/h), indicating the panel's robustness and durability in severe weather conditions, aligning with our commitment to quality and safety.

Results

1102 Lbf	107 Mp/h
----------	----------

Experiment #	Accumulative Applied Force (kg)	Equivalent Wind Velocity (km/h)	Deflections (inch)
1	311	57	0.19
2	573	77	0.47
3	664	83	0.70
4	807	91	0.90
5	910	97	1.14
6	999	101	1.33
7	1043	104	1.53
8	1082.5	106	1.77
9	1102	107	-

Wind load tests on aluminum fencing helps ensure that the fence can withstand strong winds and harsh weather conditions without being damaged or uprooted.

- Structural Integrity
- Safety assurances
- Durability
- Code Compliance
- Customer Confidence

PrimeAlux Aluminum Fence Fire Rating Test Class A

FIRE TEST REPORT

SCOPE OF WORK
ASTM E84 TESTING ON PRIMEALUX PRIVACY SLAT FENCE SYSTEM

REPORT NUMBER
T0044.01-121-24

TEST DATE
09/25/25

ISSUE DATE
10/06/25

PAGES
11

DOCUMENT CONTROL NUMBER
RT-R-AMER-Test-2780 (08/16/24)
© 2017 INTERTEK



SECTION 2 SUMMARY OF TEST RESULTS

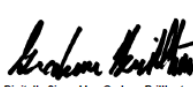
Specimen I.D.: PrimeAlux Privacy Slat fence system

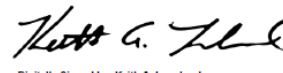
ASTM E84 Test Results

FLAME SPREAD INDEX	SMOKE DEVELOPED INDEX
0	50

*See Section 8 for additional information and commentary

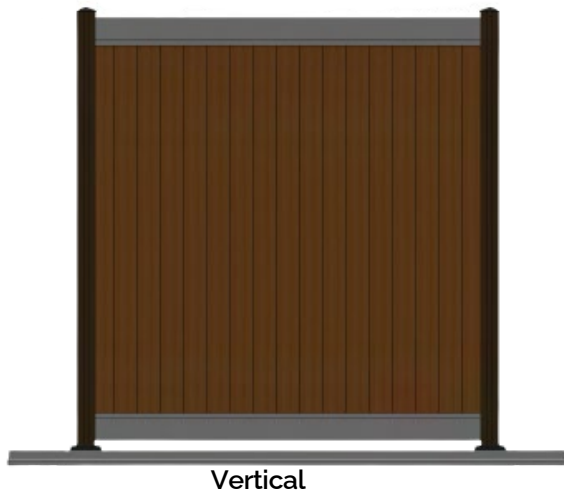
For INTERTEK B&C:

COMPLETED BY: Graham Brillhart
TITLE: Technician I
SIGNATURE: 
Digitally Signed by: Graham Brillhart
DATE: 10/06/25

REVIEWED BY: Keith Leonhard
TITLE: Test Engineer
SIGNATURE: 
Digitally Signed by: Keith A. Leonhard
DATE: 10/06/25

PrimeAlux Aluminum Fence Systems

Whether you're looking for a horizontal or vertical fence, we offer a wide selection of designs to choose from that can enhance the appearance of your property and keep it stylish. With our wide range of options, you can find the perfect aluminum fence to suit your taste.

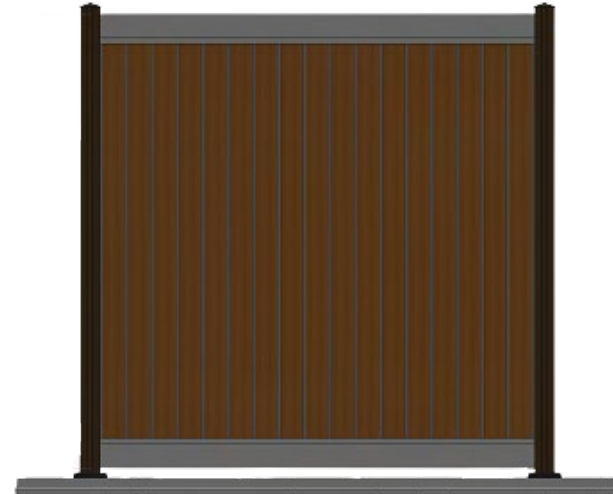


PrimeAlux Aluminum Fence Configurations

We understand the importance of privacy and security in your outdoor space. Thus, we offer a range of configurations, including Privacy, Privacy-Plus, and Semi-Privacy, to accommodate your needs and enhance your outdoor living experience.



Privacy



Privacy Plus



Semi-Privacy 15mm spacing

PrimeAlux Aluminum Fence Sizes

We offer a variety of fence sizes to fit any property including custom sizes. Whether it's a residential home, park, or even commercial building. We have the perfect solution to meet your needs and elevate your outdoor living experience.

4' H x 6' W

6' H x 6' W

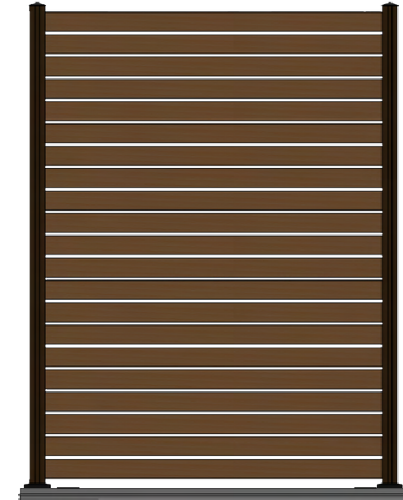
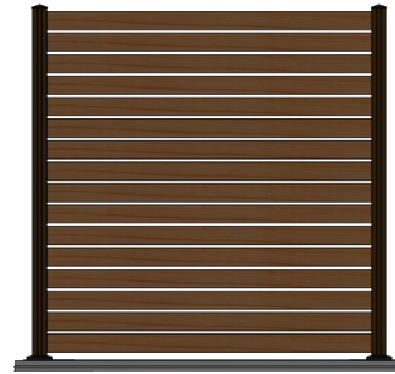
Custom sizes

4' H x 8' W

6' H x 8' W

8' H x 6' W

8' H x 8' W

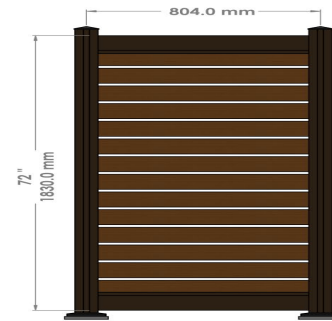


PrimeAlux Aluminum Privacy Screens

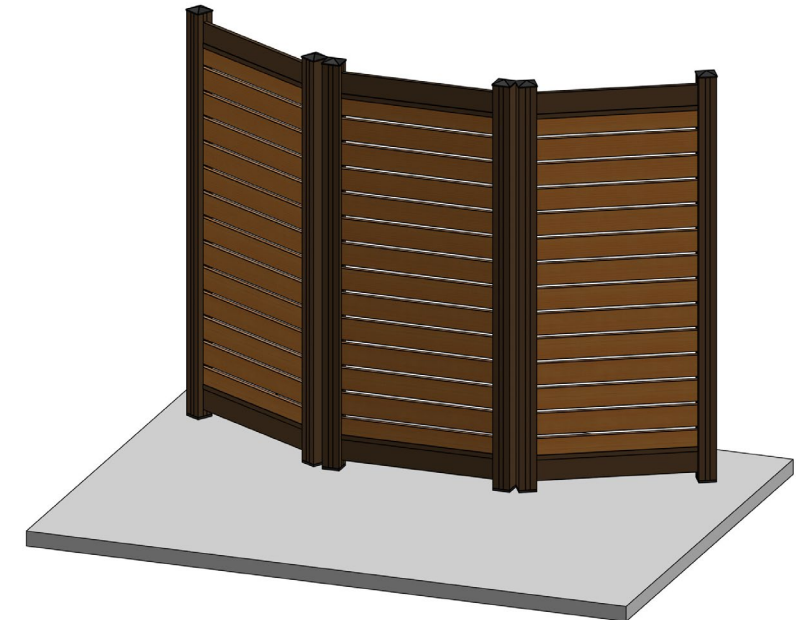
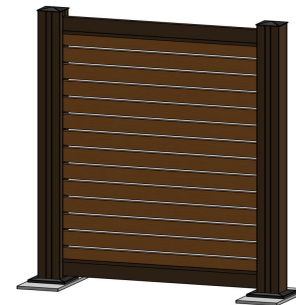
PrimeAlux offers high-quality privacy screens to protect people and property from unwanted eyes and ears, while also giving a space a polished look.

Available Sizes

SC36	(W3' x H6') Privacy Screen	W3'xH6'
SC36+	(W3' x H6') Privacy+ Screen	W3'xH6'
SC36S	(W3' x H6') Semi Privacy Screen	W3'xH6'
SC46	(W4' x H6') Privacy Screen	W4'xH6'
SC46+	(W4' x H6') Privacy+ Screen	W4'xH6'
SC46S	(W4' x H6') Semi Privacy Screen	W4'xH6'
SCP36	(W3' x H6') Planter Privacy Screen	W3'xH6'
SCP36+	(W3' x H6') Planter Privacy+ Screen	W3'xH6'
SCP36S	(W3' x H6') Planter Semi Privacy Screen	W3'xH6'
SCP46	(W4' x H6') Planter Privacy Screen	W4'xH6'
SCP46+	(W4' x H6') Planter Privacy+ Screen	W4'xH6'
SCP46S	(W4' x H6') Planter Semi Privacy Screen	W4'xH6'
SC2P36	(W3' x H6') Dbl Planter Privacy Screen	W3'xH6'
SC2P36+	(W3' x H6') Dbl Planter Privacy+ Screen	W3'xH6'
SC2P36S	(W3' x H6') Dbl Planter Privacy Plus Fence Panel	W3'xH6'
SC2P46	(W4' x H6') Dbl Planter Privacy Screen	W4'xH6'
SC2P46+	(W4' x H6') Dbl Planter Privacy+ Screen	W4'xH6'
SC2P46S	(W4' x H6') Dbl Planter Privacy Plus Fence Panel	W4'xH6'



Semi Privacy Screen - One Cell
W 804 x 1830 mm

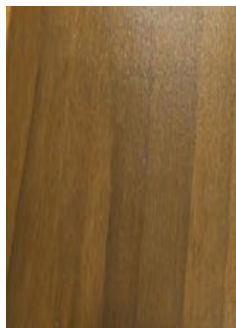


PrimeAlux Aluminum Fence Colors

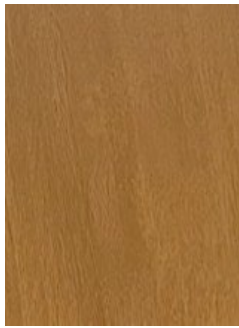
At PrimeAlux Fence, we understand that your fence is more than just a boundary marker. It's an extension of your home and your style. That's why we offer six standard and three premium colors for our fences. However, if you are looking for a specific and unique color to match your property, we can also produce your color match.



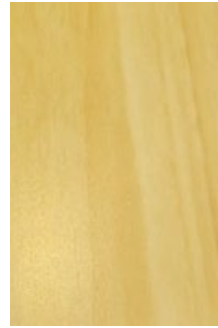
Grey Walnut
WU0201



Walnut
WU0112



Elmwood
WY0870



Natural Walnut
WU0384



Dark Walnut
WU0497

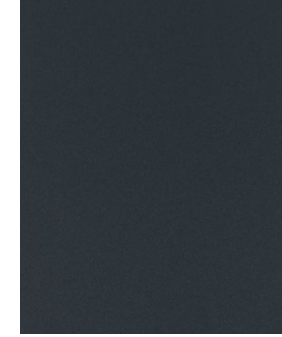


Grey Brown
PL0598
RAL 8022
Post & Slat Color

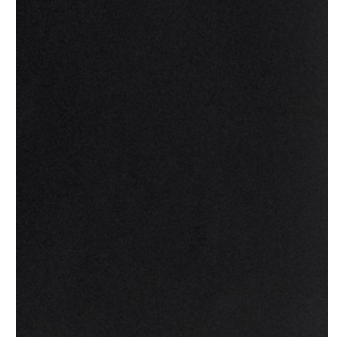


White Walnut
WU0909

Premium Custom Colors

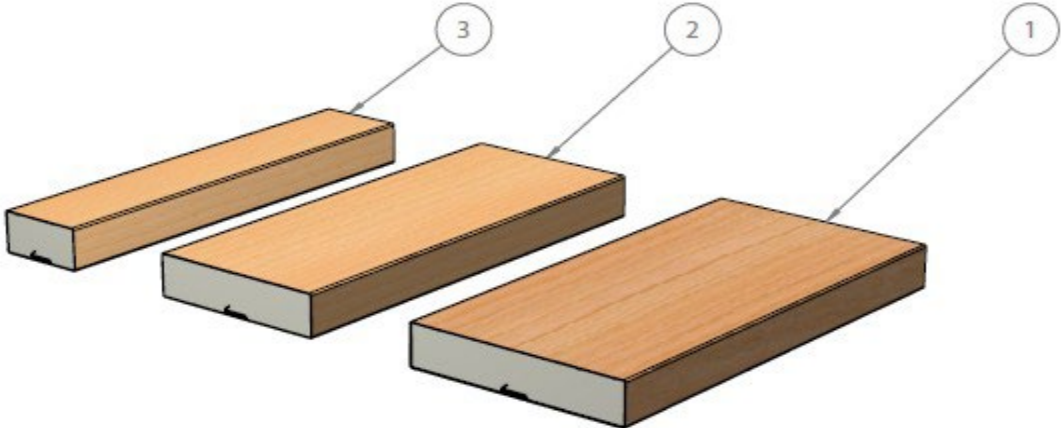


Anthracite Grey PL 0668



Black PL 0741

PrimeAlux Aluminum Fence Components

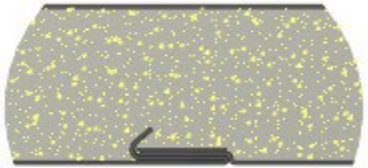


Coil is 0.019" thickness
(0.5 mm)



- 1. Aluminum Slat 20 x 100 (mm) 4" Standard
- 2. Aluminum Slat 20 x 80 (mm) 3.2"
- 3. Aluminum Slat 20 x 40 (mm) 1.6"

DETAIL A
SCALE 2 : 1



Aluminum Slat
Details

PrimeAlux Aluminum Fence Components

Horizontal

The diagram illustrates the various components that make up the fence. The horizontal fence design is simplistic, allowing for seamless assembly and installation. Specialized tools or expertise is not necessary, making it an excellent choice for do-it-yourself projects.



1. Roll-Black Screws
2. Base plate
3. Fixing Post Screws

4. Base Cover
5. Post
6. Post Cover

7. Spacer
8. Post Cap
9. Alu Slats

PrimeAlux Aluminum Fence Components

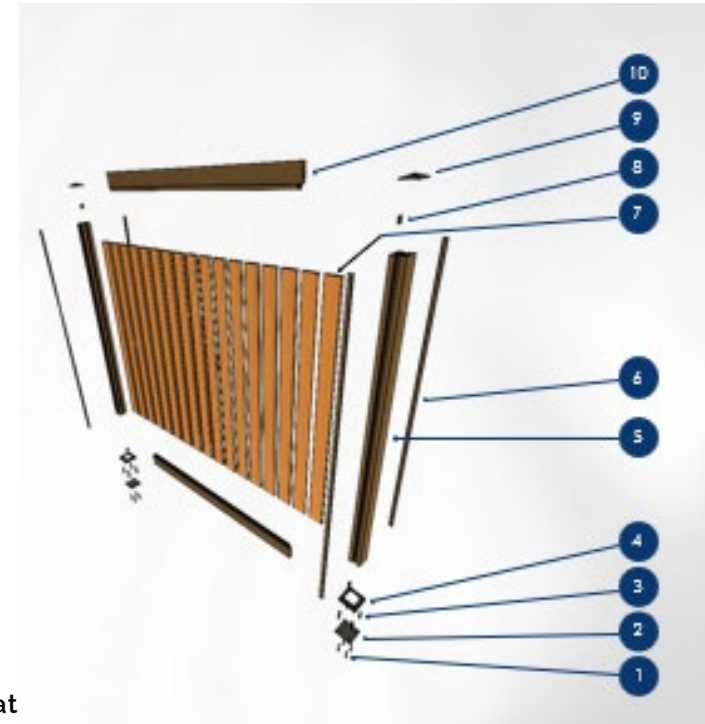
Vertical

The illustration shows the various parts that make up the fence. The vertical fence design is simple, allowing for easy assembly and setup. No specialized tools or skills are required, making it an excellent option for do-it-yourself projects.

1. Fixing Post Screws
2. Base Plate
3. Roll Black Screws

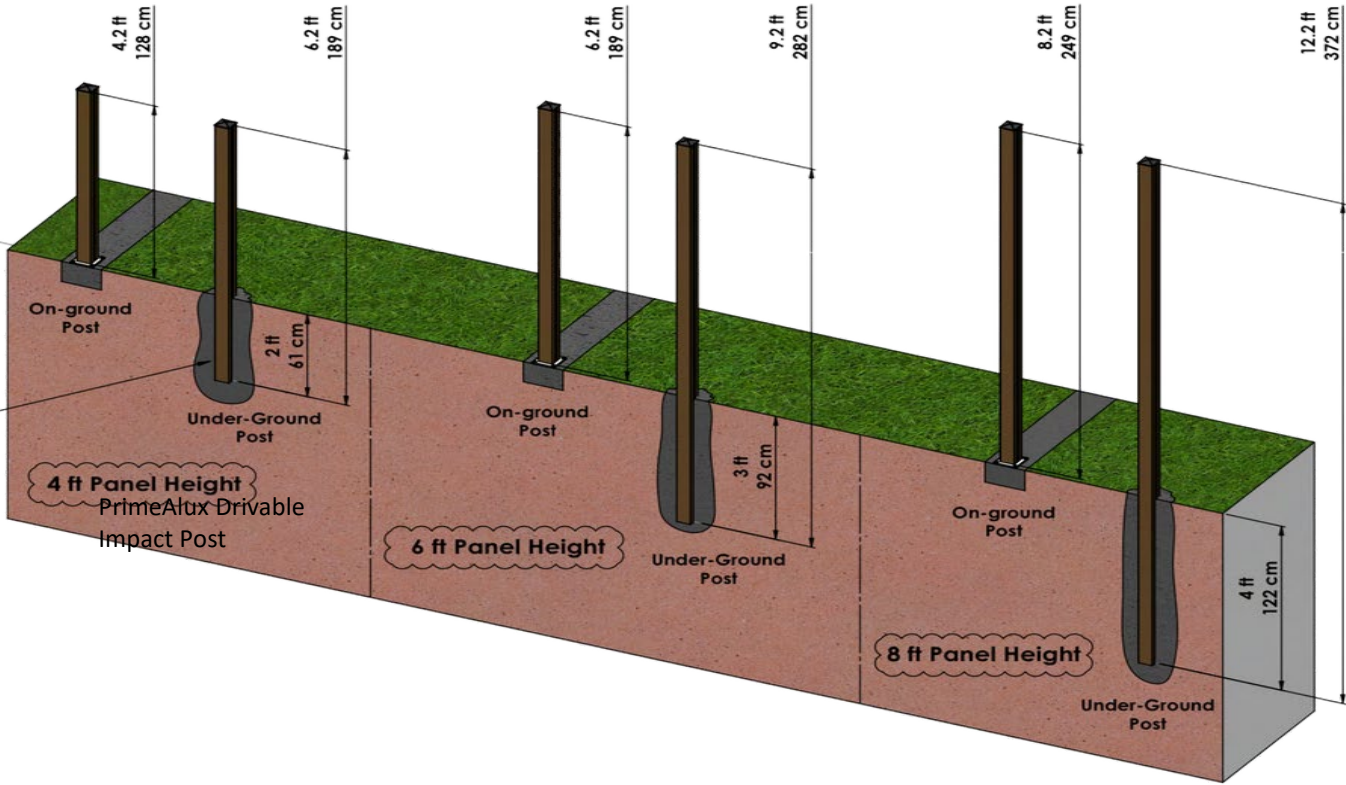
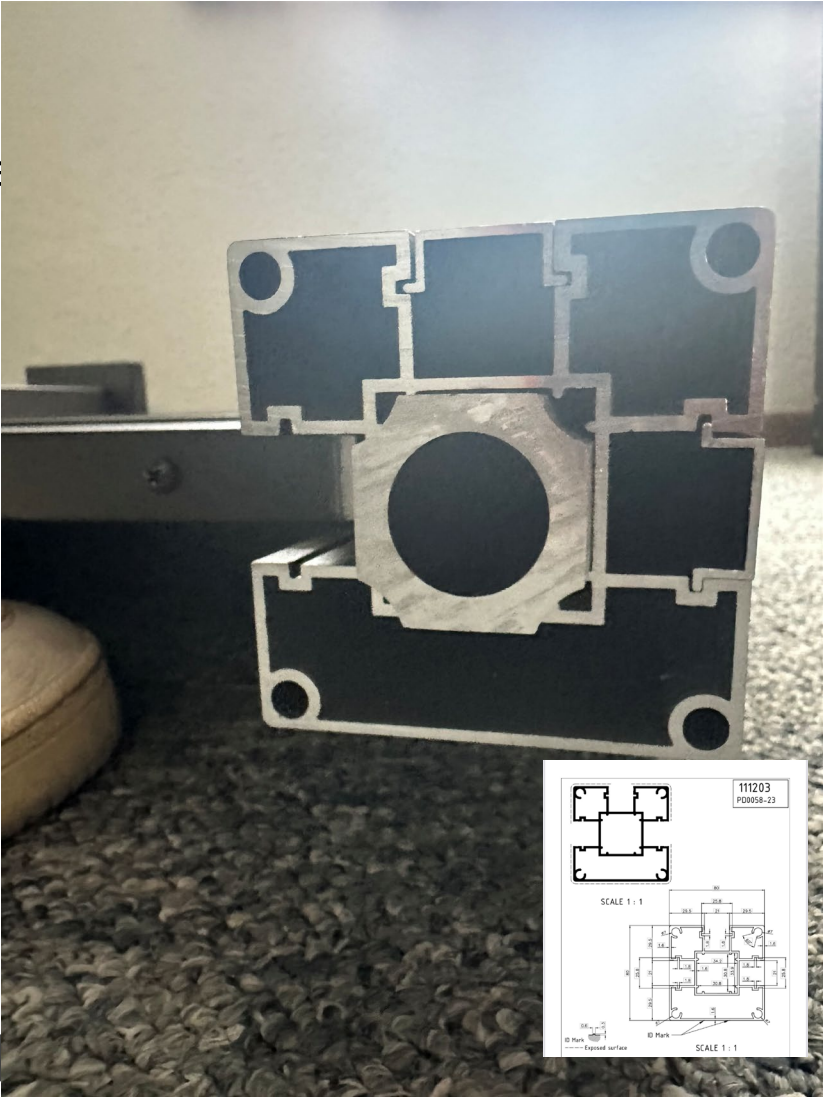
4. Base Cover
5. Post
6. Post Cover

7. Alu Slat
8. Spacer
9. Post Cap
10. Alu Rail



PrimeAlux Aluminum Fence Post Sizes

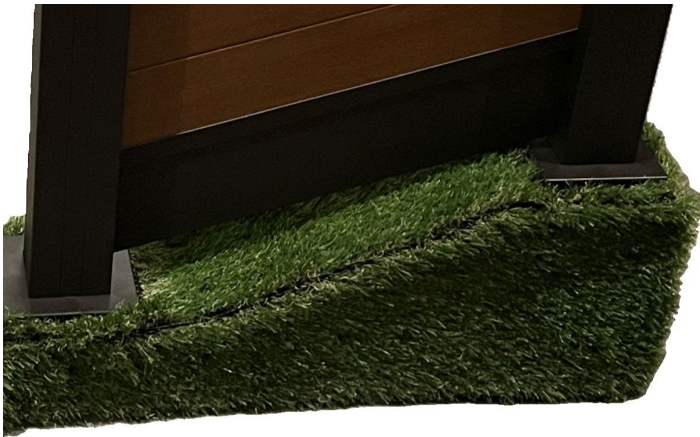
Our posts are available in 4, 6, and 8 foot heights, and can be installed underground or on ground, making them suitable for all environments.



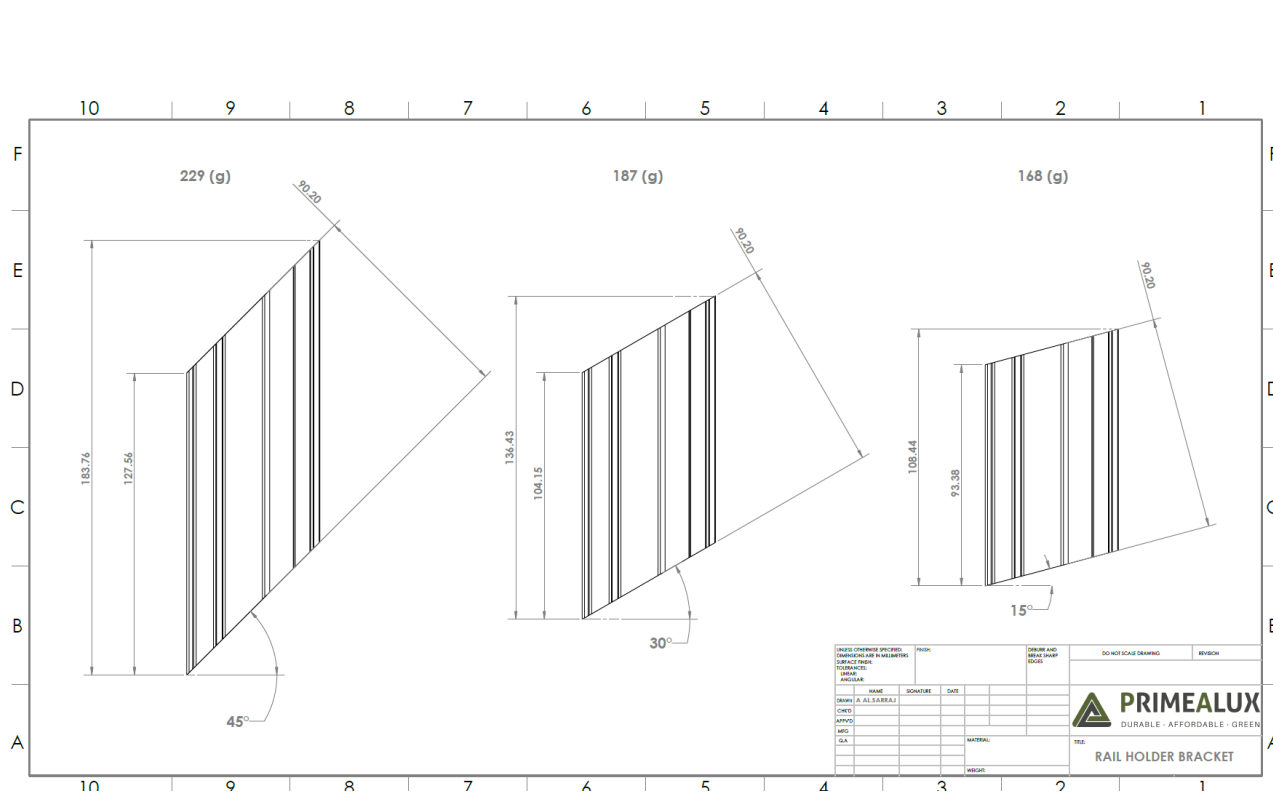
PrimeAlux Aluminum Slope/Racking Hardware Option #1

Slopes and inclines pose installation difficulties. Uneven terrain impacts fence alignment and appearance. PrimeAlux specialized sloping and racking hardware allows for seamless installation.

Our fences can be installed on any degree of slope or grade, however typically up to 45 +/- degrees is most common. Each racking adaptor can be cut at your required angles and 4 are required for each panel. Slats, top and bottom rails will need to be cut on any slope greater than 5 degrees.

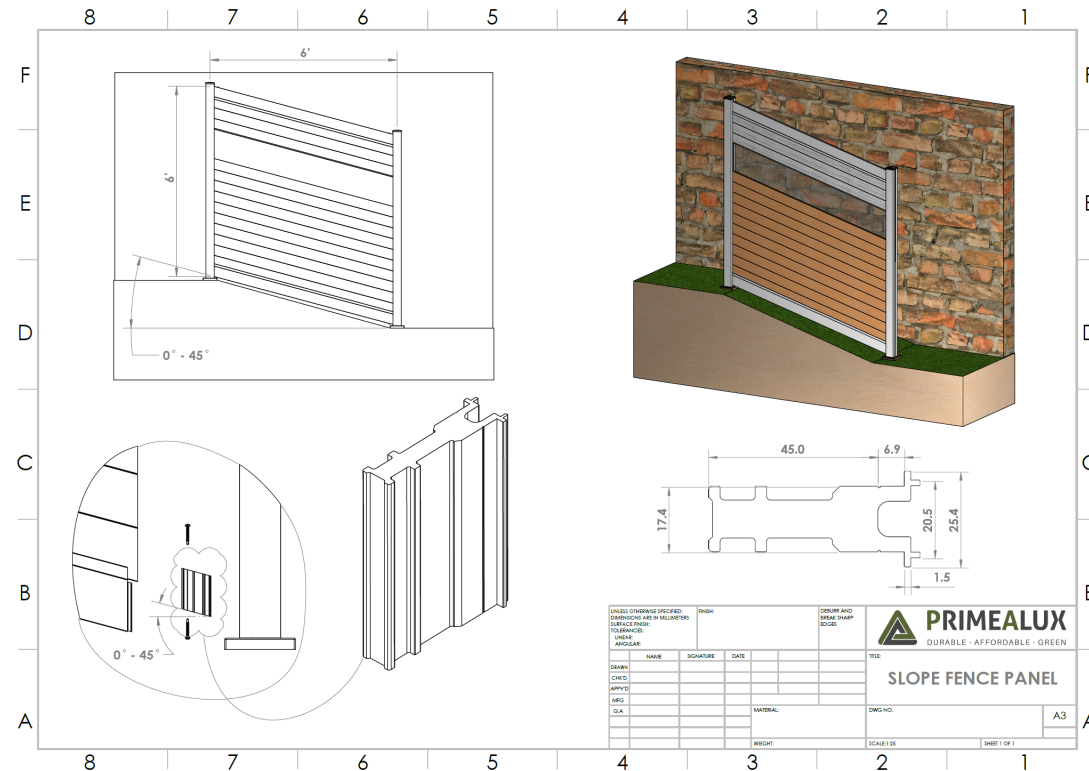


PrimeAlux Aluminum Slope/Racking Hardware

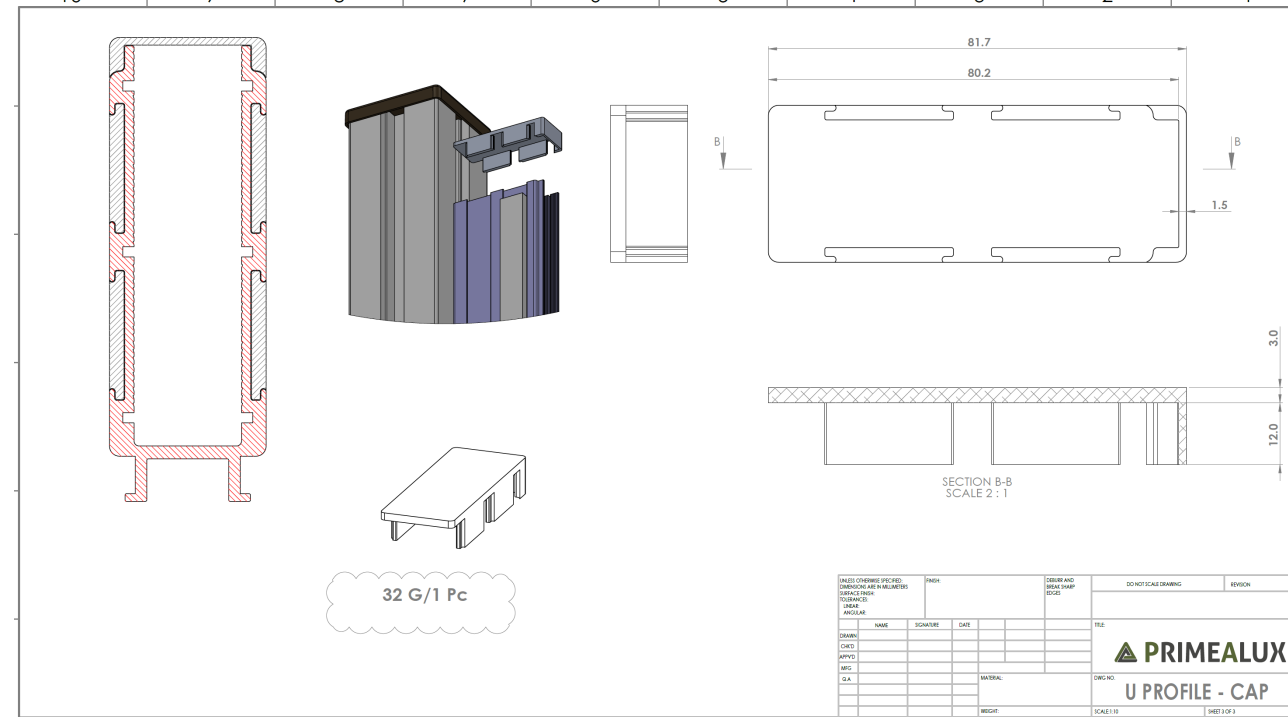
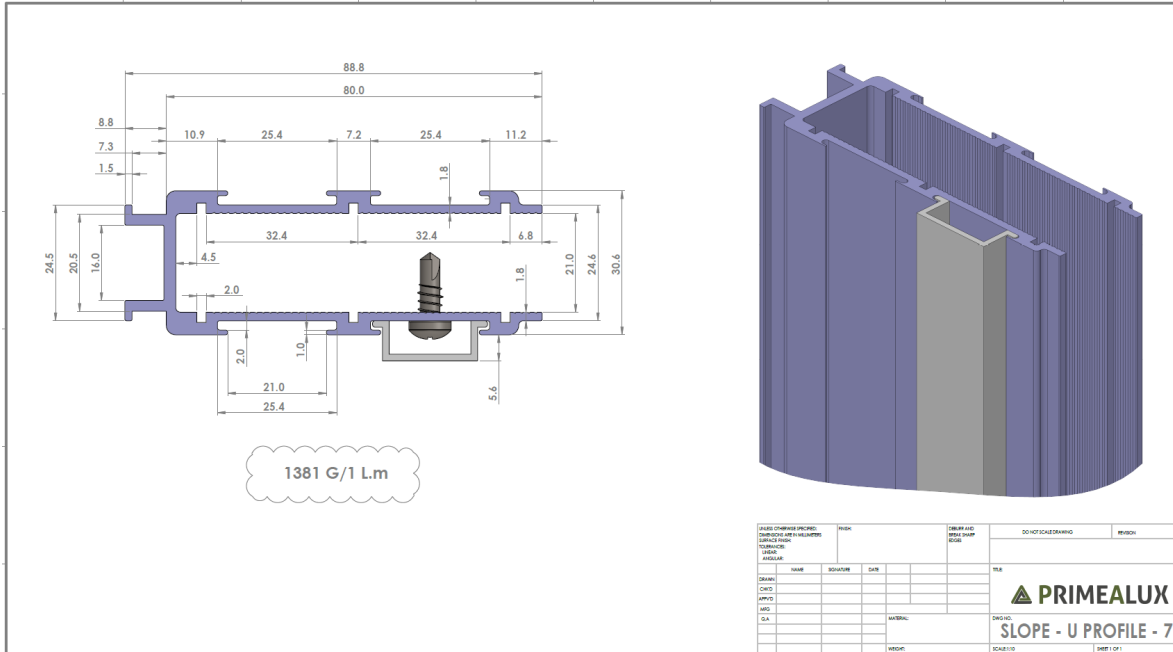


Cut Guide

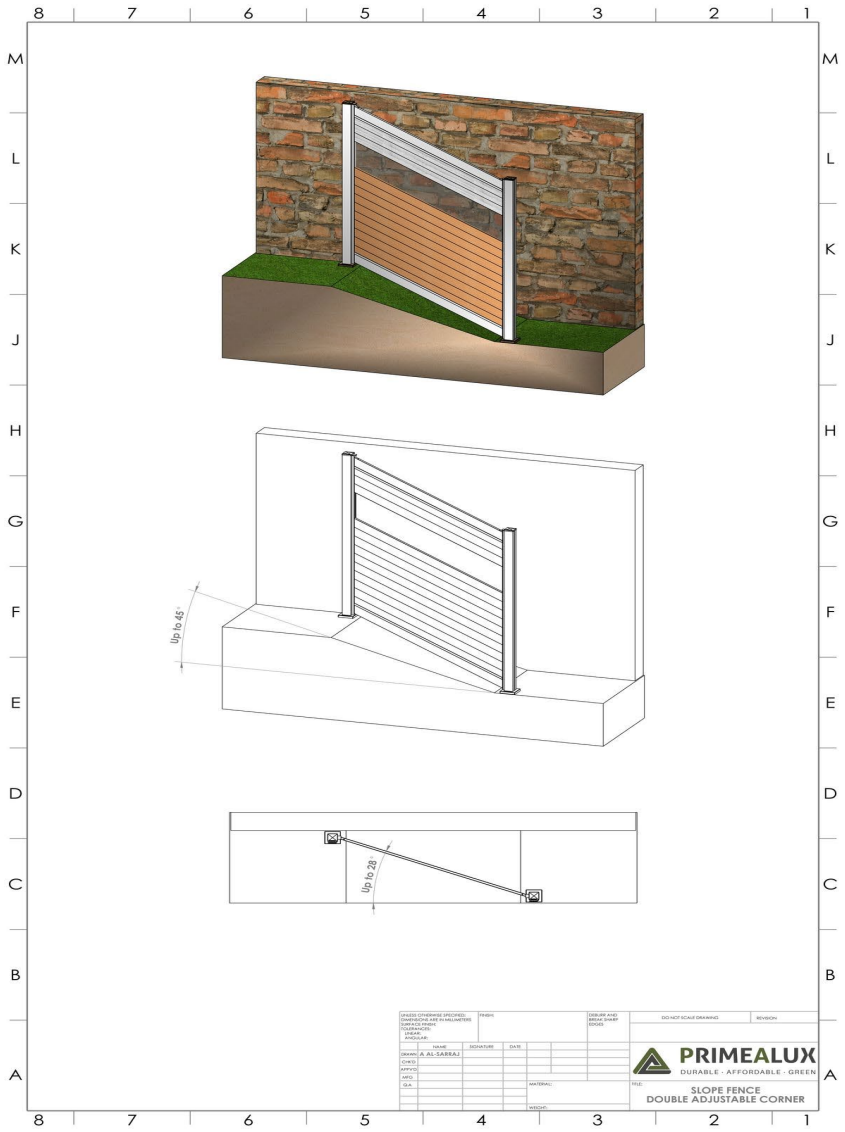
- 4" Rack Bracket 5 – 15 Degrees 4.3"
- 4" Rack Bracket 16 – 30 Degrees 5.4"
- 4" Rack Bracket 31 – 45 Degrees 7.2"



PrimeAlux Aluminum Slope/Racking Hardware Option #2



PrimeAlux Aluminum Slope/Racking and Flexi Adaptor



QUOTE OR ORDER FORM: (PLEASE PRINT) COMPANY NAME: _____ ADDRESS: _____ CITY: _____ STATE: _____ ZIP: _____ PHONE: _____ FAX: _____ E-MAIL: _____		QUOTE AND ORDER FORM: (PLEASE PRINT) QUOTE NO: _____ QUOTE DATE: _____ QUOTE VALIDITY: _____ QUOTE TYPE: _____ QUOTE STATUS: _____	QUOTE AND ORDER FORM: (PLEASE PRINT) QUOTE NO: _____ QUOTE DATE: _____ QUOTE VALIDITY: _____ QUOTE TYPE: _____ QUOTE STATUS: _____
QUOTE NO: _____ QUOTE DATE: _____ QUOTE VALIDITY: _____ QUOTE TYPE: _____ QUOTE STATUS: _____	QUOTE NO: _____ QUOTE DATE: _____ QUOTE VALIDITY: _____ QUOTE TYPE: _____ QUOTE STATUS: _____	QUOTE NO: _____ QUOTE DATE: _____ QUOTE VALIDITY: _____ QUOTE TYPE: _____ QUOTE STATUS: _____	QUOTE NO: _____ QUOTE DATE: _____ QUOTE VALIDITY: _____ QUOTE TYPE: _____ QUOTE STATUS: _____

PrimeAlux Aluminum Fence Gates



Single Gates include hardware:

- Side Pull
- Truclose Pair Hinges
- Gate Stop
- Handle

Current Gate Sizes:

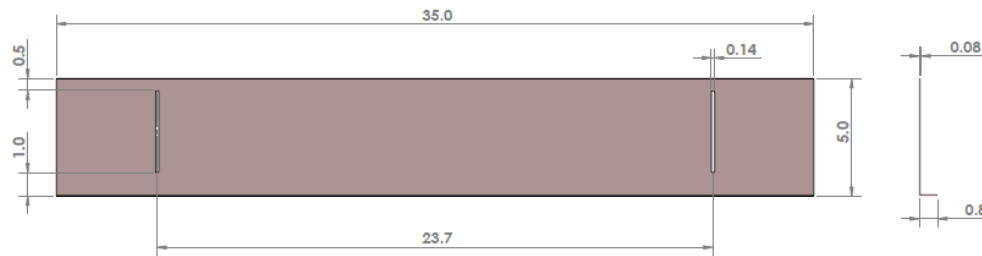
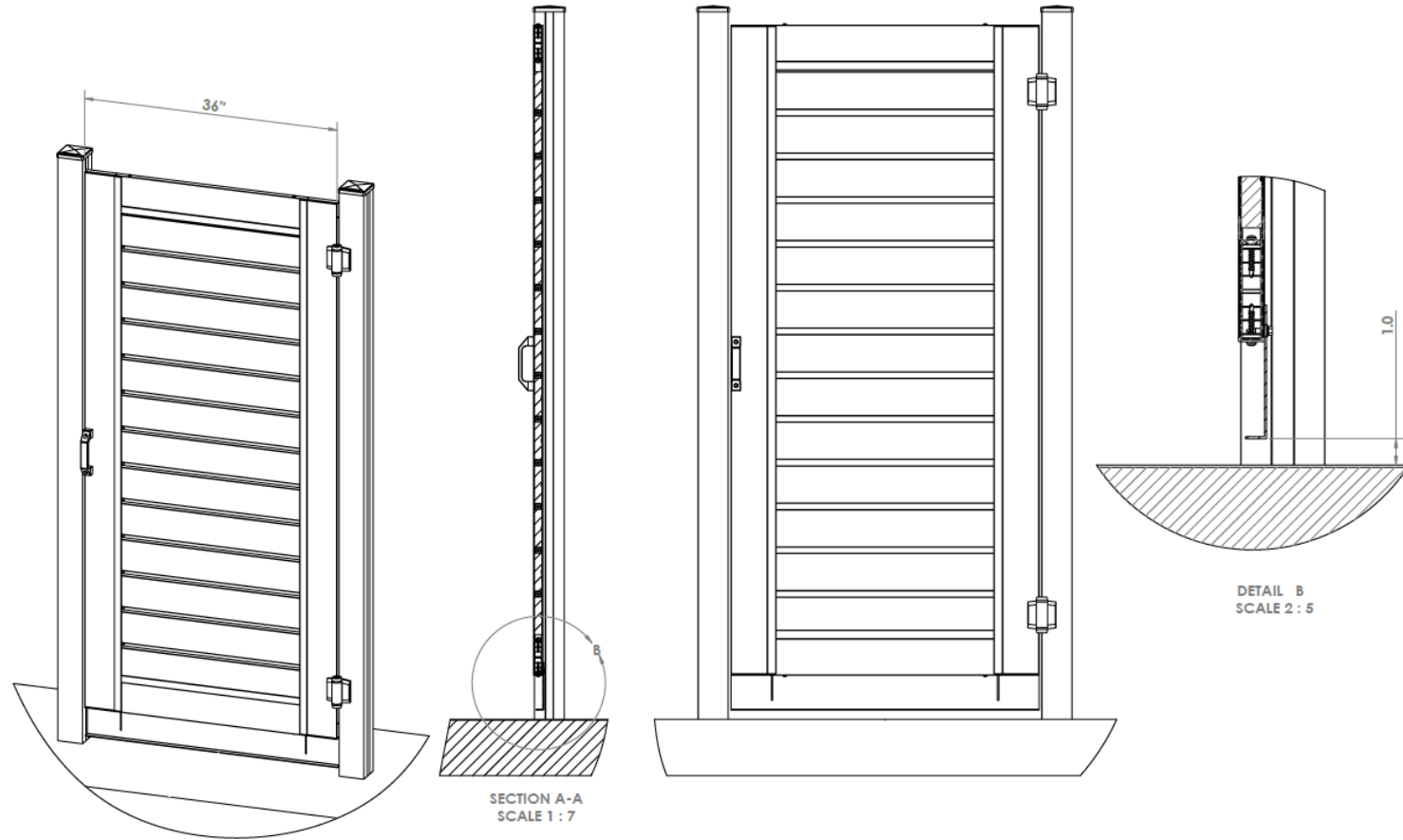
- 1" under width 3W, 4W, 5W, 6W – 4H (44.09") 5H (56.10") 6H (68.11")

Double Gates Will Require Extra Hardware:

- Drop Rod
- Heavy Duty Hinges
- Lokklatch

PrimeAlux Aluminum Fence Gate Height Extension Bracket

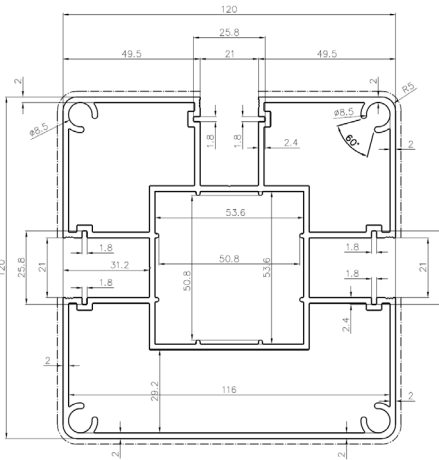
Gate Extension provided with each gate starting August 2025 and can be applied with two screws on site.



UNLESS OTHERWISE SPECIFIED: DIMENSIONS ARE IN MILLIMETERS TOLERANCES: FRACTIONS DECIMALS		FINISH	DRILL AND MOUNT SHAP HOLE	DO NOT SCALE DRAWING	REVISION
DESIGN	NAME	DATE			
CHK'D					
APP'D					
QA					
MATERIAL:					



PrimeAlux Aluminum Fence Gates & Pergolas



PRIMEALUX
DURABLE · AFFORDABLE · GREEN
Affiliate of Corbit Aluminum Industries

SHAPES UNLIMITED
ALUMINUM BUILDING PRODUCTS
Exclusive Regional Distributor

FENCE
Aluminum slats with foam cores for increased strength and sound deflection.
Innovative modern design with a variety of configurations, wood grains and colors.
In-stock colors and designs for "quick ship" orders.
Lightweight, kitted systems equals lower transportation costs.
Sturdy under extreme weather conditions, >100 mph wind (test tested).
Easy to install, affordable and maintenance free.
20 year warranty.

GATES
• 4' height
• 5' height
• 6' height
• 8' height

PRIVACY SCREENS
Single
Double
Triple

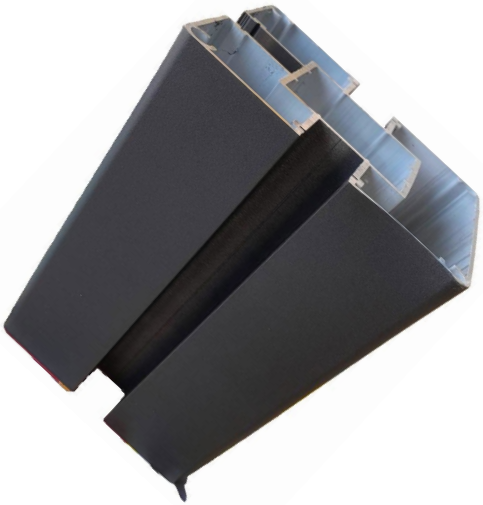
PERGOLAS
Custom

COLORS & WOOD GRAINS

PRIMEALUX.COM

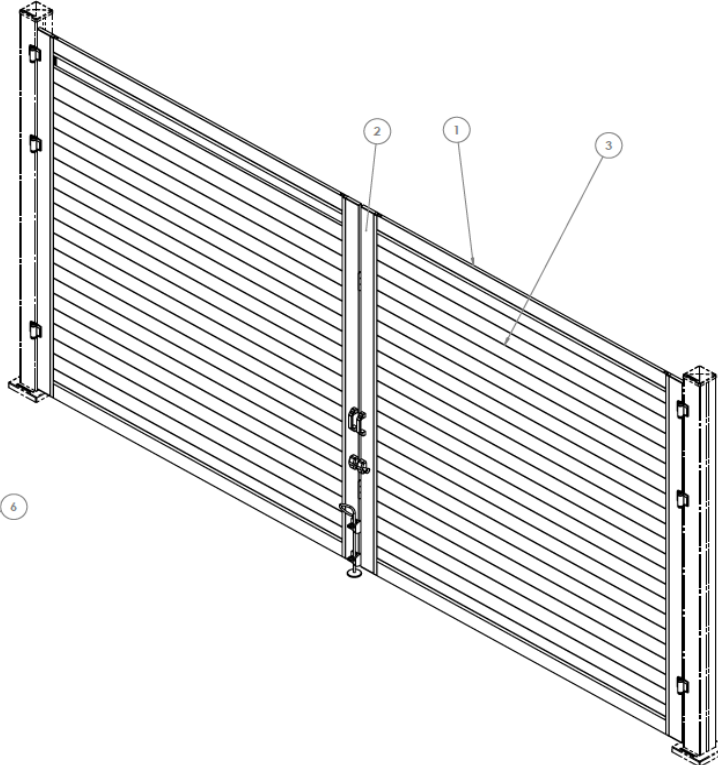
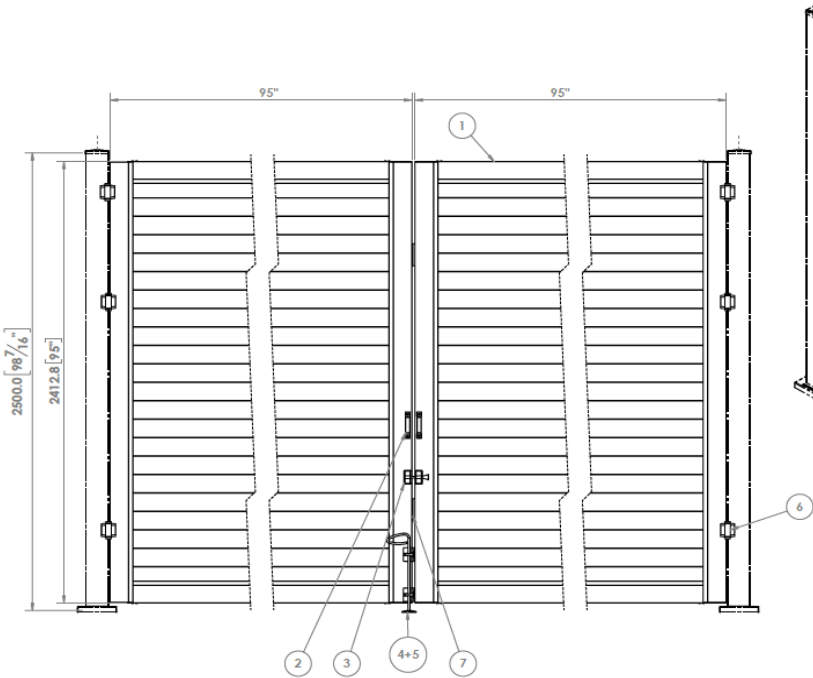
Keep your kids and pets safe with a secure gate! Our gates are the perfect way to enhance your property with style and security. They are designed to protect your property while providing a beautiful gateway for guests.

Pergola 5" Posts with 2" center can use 1.7" Impact Post



PrimeAlux Aluminum Double Gates

ITEM NO.	DESCRIPTION	CODE	SIZE (mm-inches)	QTY	FIGURE
1	GATE PANEL	GH88		2	
2	GATE HANDLE	LL3GH		2	
3	MAGJIA LATCH SIDE PULL	MLSPS2		1	
4+5	G BOLT + BASE PLATE	GB124 + LBSPBQ		1 + 1	
6	ALUMINIUM HINGES	KF3RL		4	
7	GATE STOPPER	TCG53		2	



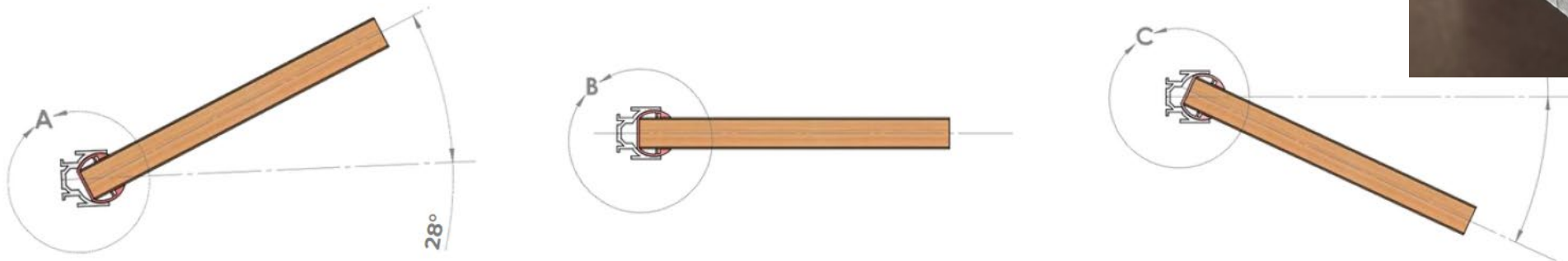
TITLE : W 16' x H 8' DOUBLE HORIZONTAL GATE

email: Info@primealux.com
 website: www.primealux.com

NOTES :
 -DIMENSIONS IN BRACKETS [] ARE IN INCHES.
 -TOLERANCES: LINEAR: +1 mm or [1/16"], ANGULAR: +1 Deg.
 -CONSULT LOCAL CONDITIONS, CODES FOR FOUNDATION.
 -INSTALLATION TO BE COMPLETED PER MANUFACTURER'S SPECIFICATION.
 -THIS DRAWING IS PROVIDED FOR PLANNING PURPOSES ONLY.
 -SIZES ARE APPROXIMATED AND COULD VARY DEPENDING ON THE SYSTEM OF CHOICE, PLEASE REFER TO THE INSTALLATION MANUAL FOR MORE DETAILED DIMENSIONS.
 -OVERALL WIDTH IS MEASURED FROM POST CENTER TO POST CENTER.

PrimeAlux Aluminum Fence Flexi

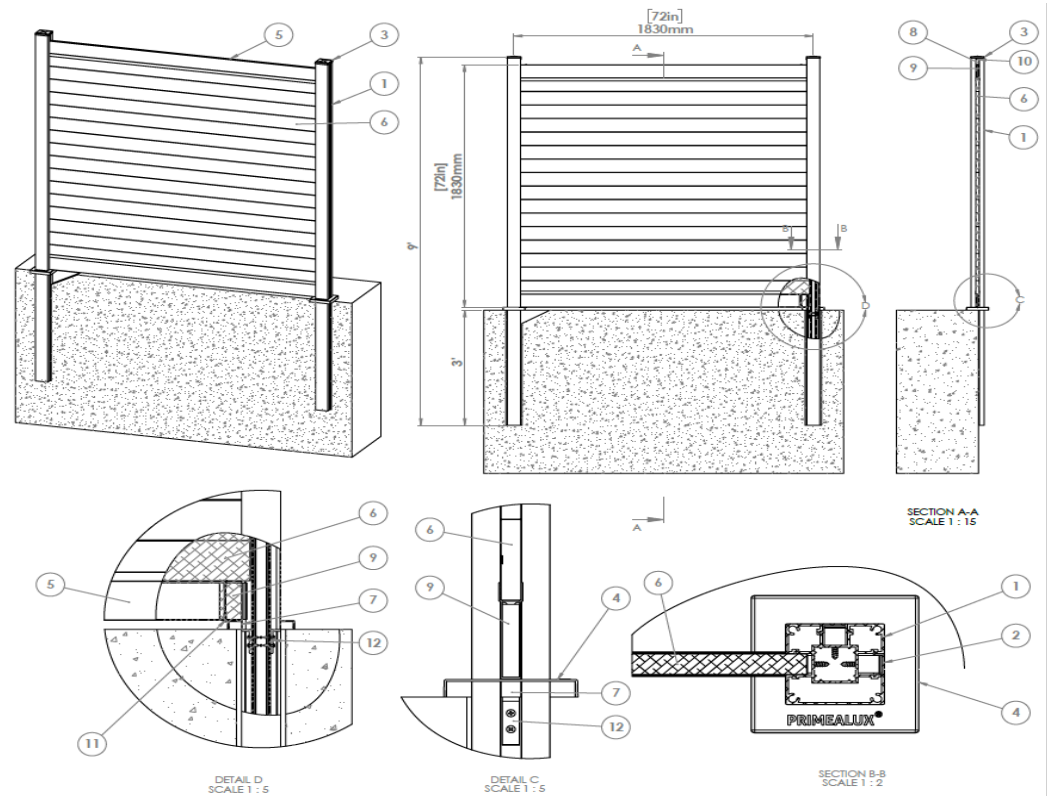
Our fence flexi allows for easy installation of fences at angles up to 28 degrees for curved paths. This flexible component fits between fence posts, creating a stable foundation and a smooth curve for your fence.



PrimeAlux Aluminum Fence BOM Privacy Horizontal Underground

Base plate covers are optional but do provide a clean post at base!

ITEM NO.	DESCRIPTION	CODE	SIZE (mm:inches)	QTY	FIGURE
1	POST	P8009	2750 108"	1	
2	6" POST COVER	PC06	1830 74.3/8"	1	
3	POST CAP	CP80	—	1	
4	BASE PLATE CAP	BC80	—	1	
5	RAIL (TOP/BOTTOM)	FR06	1750 68.7/8"	2	
6	ALU SLAT 6" HORIZONTAL	S10070	1785 70.1/4"	16	
7	BOTTOM SPACER	SP025	25 1"	2	
8	TOP SPACERS TO BE DRILLED ON SITE	SP060	60 2.3/8"	2	
9	RAIL BRACKET 4"	RB4	90 3.53/64"	4	
10	PAN HEAD SCREW	F54232	m4.2x32 mm	2	
11	PAN HEAD SCREW	F54219	m4.2x19 mm	4	
12	ANGLE BRACKET (COMES PRE-ASSEMBLED)	AB020	20 13/16"	3	



PRIMEALUX

TITLE : W 6' x H 6' UNDER GROUND PRIVACY HORIZONTAL FENCE

email: Info@primealux.com
website: www.primealux.com

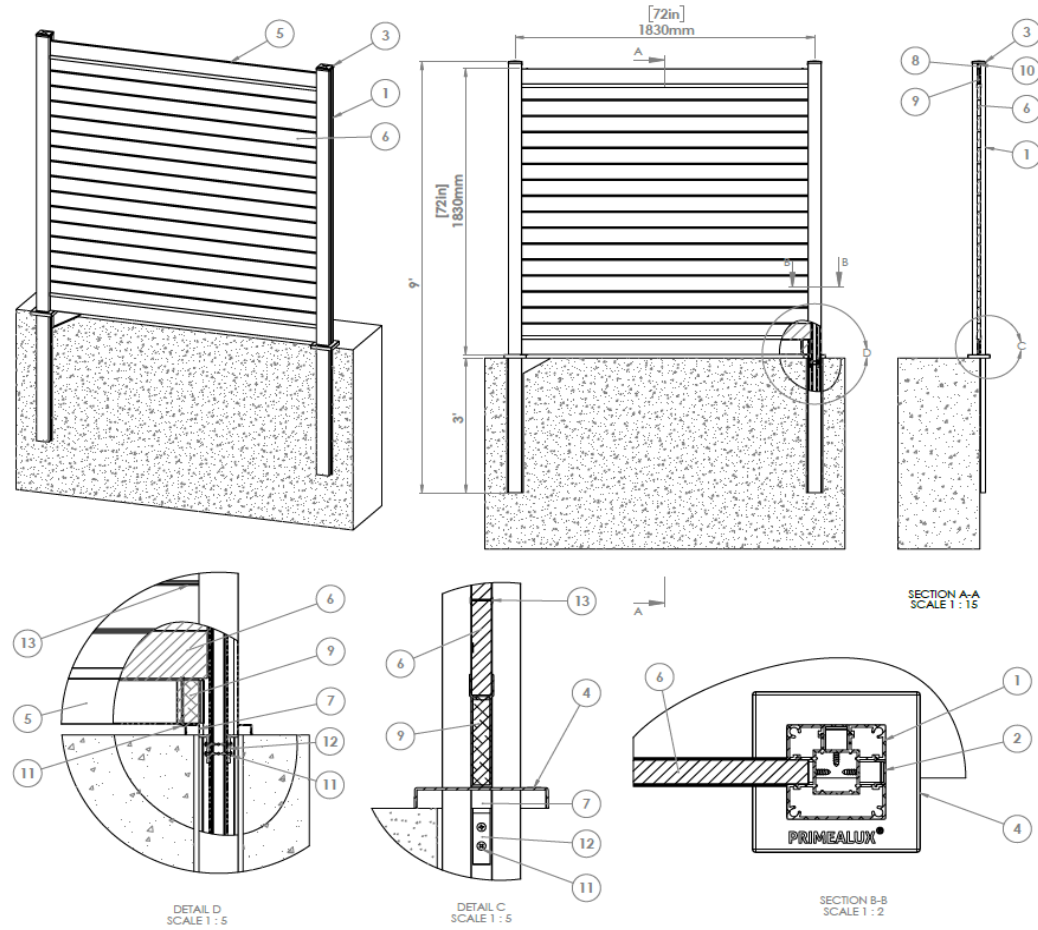
NOTES :

- DIMENSIONS IN BRACKETS [] ARE IN INCHES.
- TOLERANCES: LINEAR: +1 mm or [1/16"], ANGULAR: +1 Deg.
- CONSULT LOCAL CONDITIONS, CODES FOR FOUNDATION.
- INSTALLATION TO BE COMPLETED PER MANUFACTURER'S SPECIFICATION.
- THIS DRAWING IS PROVIDED FOR PLANNING PURPOSES ONLY.
- SIZES ARE APPROXIMATED AND COULD VARY DEPENDING ON THE SYSTEM OF CHOICE, PLEASE REFER TO THE INSTALLATION MANUAL FOR MORE DETAILED DIMENSIONS.
- OVERALL WIDTH IS MEASURED FROM POST CENTER TO POST CENTER.

PrimeAlux Aluminum Fence BOM Privacy Plus Horizontal Underground

Base plate covers are optional but do provide a clean post at base!

ITEM NO.	DESCRIPTION	CODE	SIZE (mm/inches)	QTY	FIGURE
1	POST	P8009	2750 108"	1	
2	6" POST COVER	PC06	1890 74 3/8"	1	
3	POST CAP	CP80	—	1	
4	BASE PLATE CAP	BC80	—	1	
5	RAIL (TOP/BOTTOM)	FR04	1750 68 7/8"	2	
6	ALU SLAT 6" HORIZONTAL	S10070	1785 70 1/4"	16	
7	BOTTOM SPACER	SP025	25 1"	2	
8	TOP SPACER TO BE DRILLED ON SITE	SP060	60 2 3/8"	2	
9	RAIL BRACKET 4"	RB4	90 3 5/8"	4	
10	PAN HEAD SCREW	F54232	m4.2x32 mm	2	
11	PAN HEAD SCREW	F54219	m4.2x19 mm	4	
12	ANGLE BRACKET (COMES PRE ASSEMBLED)	AB020	20 13/16"	3	
13	H RAIL	HH06	1750 68 7/8"	15	

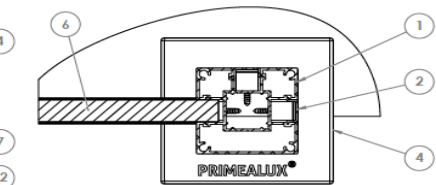
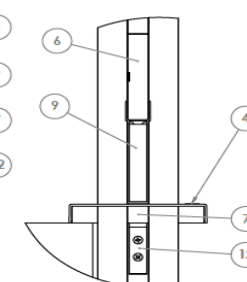
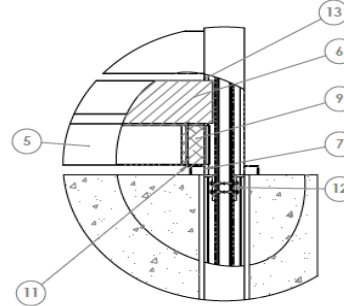
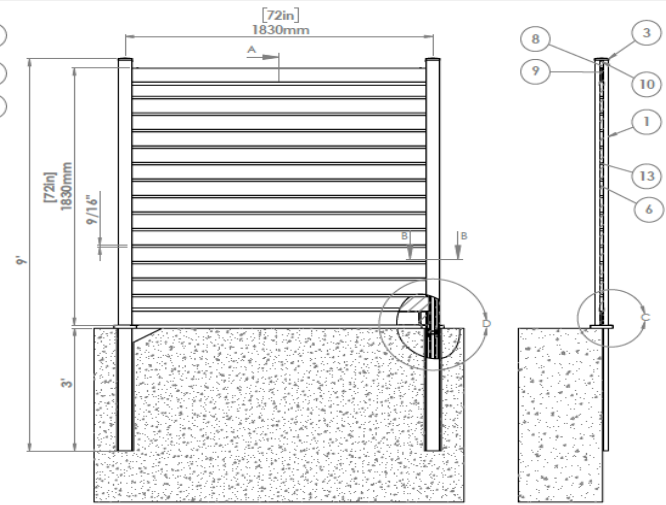
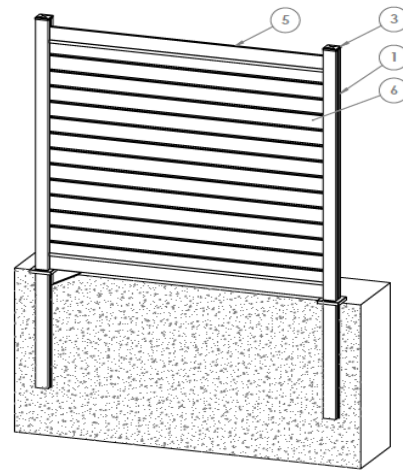


NOTES:
 -DIMENSIONS IN BRACKETS [] ARE IN INCHES.
 -TOLERANCES: LINEAR: +1 mm or [1/16"], ANGULAR: +1 Deg.
 -CONSULT LOCAL CONDITIONS, CODES FOR FOUNDATION.
 -INSTALLATION TO BE COMPLETED PER MANUFACTURER'S SPECIFICATION.

PrimeAlux Aluminum Fence BOM Semi-Privacy Horizontal Underground

Base plate covers are optional but do provide a clean post at base!

ITEM NO.	DESCRIPTION	CODE	SIZE (mm/inches)	QTY	FIGURE
1	POST	P8009	2750 108"	1	
2	6" POST COVER	PC06	1890 74 3/8"	1	
3	POST CAP	CP80	—	1	
4	BASE PLATE CAP	BC80	—	1	
5	RAIL (TOP/BOTTOM)	FR06	1750 68 7/8"	2	
6	ALU SLAT 6" HORIZONTAL	S10070	1785 70 1/4"	16	
7	BOTTOM SPACER	SP025	25 1"	2	
8	TOP SPACER TO BE DRILLED ON SITE	SP060	60 2 3/8"	2	
9	RAIL BRACKET 4"	RB4	90 3 5/8"	4	
10	PAN HEAD SCREW	F54232	m4.2x32 mm	2	
11	PAN HEAD SCREW	F54219	m4.2x19 mm	4	
12	ANGLE BRACKET (COMES PRE ASSEMBLED)	AB020	20 13/16"	3	
13	SPACER	SP015	15 9/16"		



PRIMEALUX

TITLE : W 6' x H 6' UNDER GROUND SEMI PRIVACY HORIZONTAL FENCE

email: Info@primealux.com
website: www.primealux.com

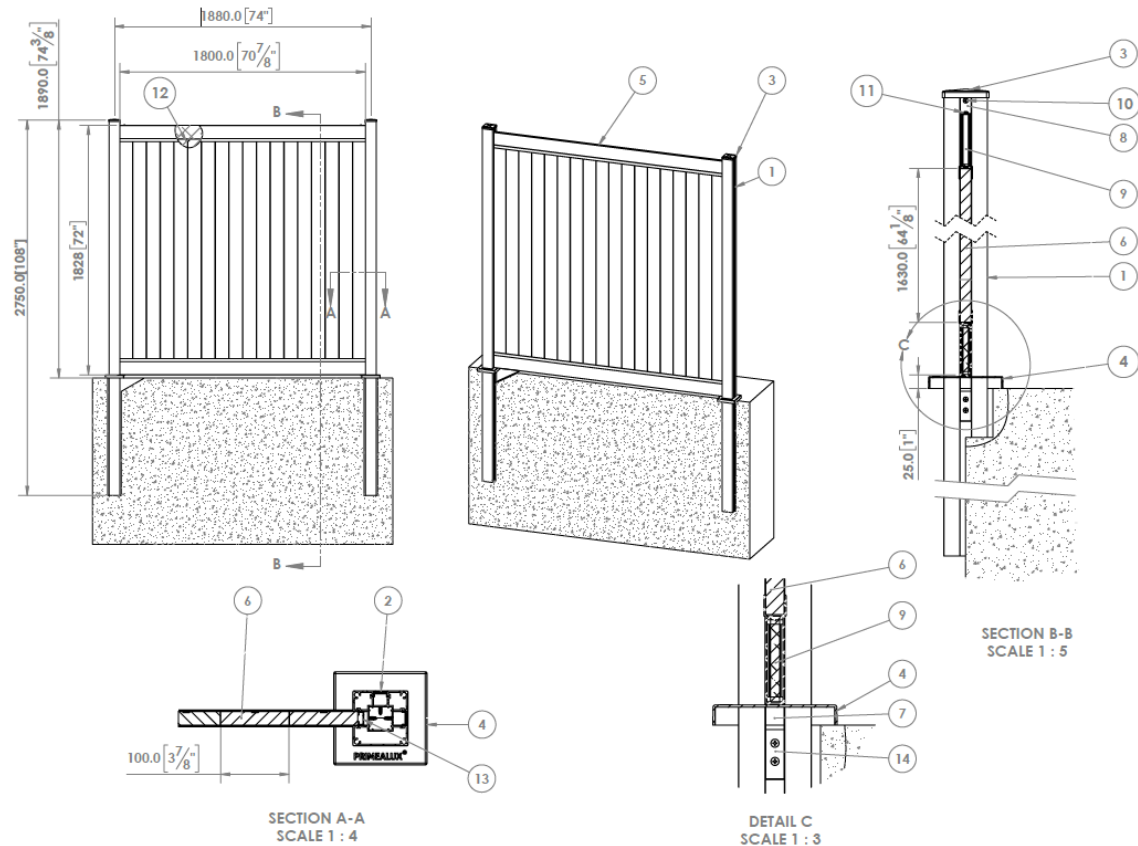
NOTES :

- DIMENSIONS IN BRACKETS [] ARE IN INCHES.
- TOLERANCES: LINEAR: +1 mm or [1/16"], ANGULAR: +1 Deg.
- CONSULT LOCAL CONDITIONS, CODES FOR FOUNDATION.
- INSTALLATION TO BE COMPLETED PER MANUFACTURER'S SPECIFICATION.
- THIS DRAWING IS PROVIDED FOR PLANNING PURPOSES ONLY.
- SIZES ARE APPROXIMATED AND COULD VARY DEPENDING ON THE SYSTEM OF CHOICE, PLEASE REFER TO THE INSTALLATION MANUAL FOR MORE DETAILED DIMENSIONS.
- OVERALL WIDTH IS MEASURED FROM POST CENTER TO POST CENTER.

PrimeAlux Aluminum Fence BOM Privacy Vertical Underground

Base plate covers are optional but do provide a clean post at base!

ITEM NO.	DESCRIPTION	CODE	SIZE (mm-inches)	QTY	FIGURE
1	POST	P8009	2750 108 1/4"	1	
2	6' POST COVER	PC06	1890 74 3/8"	1	
3	POST CAP	BPC	—	1	
4	BASE PLATE CAP	BC80	—	1	
5	RAIL (TOP/BOTTOM)	FRV06	1800 70 7/8"	2	
6	ALU SLAT 6' VERTICAL	S10064	1630 64 1/8"	18	
7	BOTTOM SPACER	SP025	25 1"	2	
8	TOP SPACER TO BE DRILLED ON SITE	SP035	35 mm 1 3/8"	2	
9	RAIL BRACKET 4"	R84	90 3 35/64"	4	
10	PAN HEAD SCREW	F54232	m4.2x32mm	2	
11	PAN HEAD SCREW	F54219	m4.2x19mm	4	
12	VERTICAL SPACER	SPV015	15 mm 5/8"	17	
13	POST COVER (FLIPPED)	PC053	1620 63 3/4"	2	
14	ANGLE BRACKET (COMES PRE ASSEMBLED)	AB020	20 13/16"	2	



PRIMEALUX

TITLE : W 6' x H 6' UNDER GROUND PRIVACY VERTICAL FENCE

email: Info@primealux.com
website: www.primealux.com

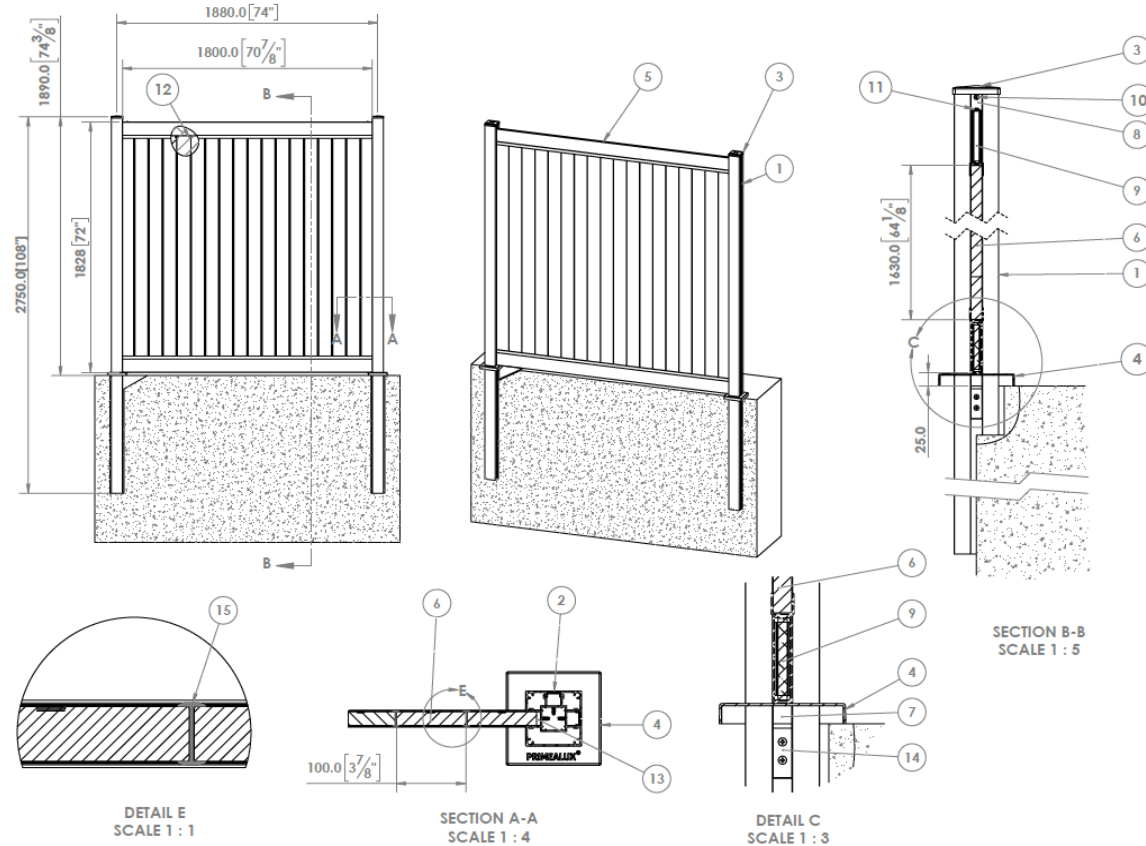
NOTES :

- DIMENSIONS IN BRACKETS [] ARE IN INCHES.
- TOLERANCES: LINEAR: +1 mm or [1/16"], ANGULAR: +1 Deg.
- CONSULT LOCAL CONDITIONS, CODES FOR FOUNDATION.
- INSTALLATION TO BE COMPLETED PER MANUFACTURER'S SPECIFICATION.
- THIS DRAWING IS PROVIDED FOR PLANNING PURPOSES ONLY.
- SIZES ARE APPROXIMATED AND COULD VARY DEPENDING ON THE SYSTEM OF CHOICE, PLEASE REFER TO THE INSTALLATION MANUAL FOR MORE DETAILED DIMENSIONS.
- OVERALL WIDTH IS MEASURED FROM POST CENTER TO POST CENTER.

PrimeAlux Aluminum Fence BOM Privacy Plus Vertical Underground

Base plate covers are optional but do provide a clean post at base!

ITEM NO.	DESCRIPTION	CODE	SIZE (mm-inches)	QTY	FIGURE
1	POST	P8009	2750 108 1/4"	1	
2	6' POST COVER	PC06	1890 74 3/8"	1	
3	POST CAP	BPC	—	1	
4	BASE PLATE CAP	BC80	—	1	
5	RAIL (TOP/BOTTOM)	FRV06	1800 70 7/8"	2	
6	ALU SLAT 6" VERTICAL	S10064	1630 64 1/8"	18	
7	BOTTOM SPACER	SP025	25 1"	2	
8	TOP SPACER TO BE DRILLED ON SITE	SP035	35 mm 1 3/8"	2	
9	RAIL BRACKET 4"	RB4	90 3 35/64"	4	
10	PAN HEAD SCREW	FS4232	m4.2x32mm	2	
11	PAN HEAD SCREW	FS4219	m4.2x19mm	4	
12	VERTICAL SPACER	SPV015	15 mm 5/8"	17	
13	SPACER	SP005	5 3/16"	6	
14	ANGLE BRACKET (COMES PRE ASSEMBLED)	AB020	20 13/16"	3	
15	H RAIL	HV06	1590 62 5/8"	17	



PRIMEALUX

TITLE : W 6' x H 6' UNDER GROUND PRIVACY PLUS VERTICAL FENCE

email: Info@primealux.com
website: www.primealux.com

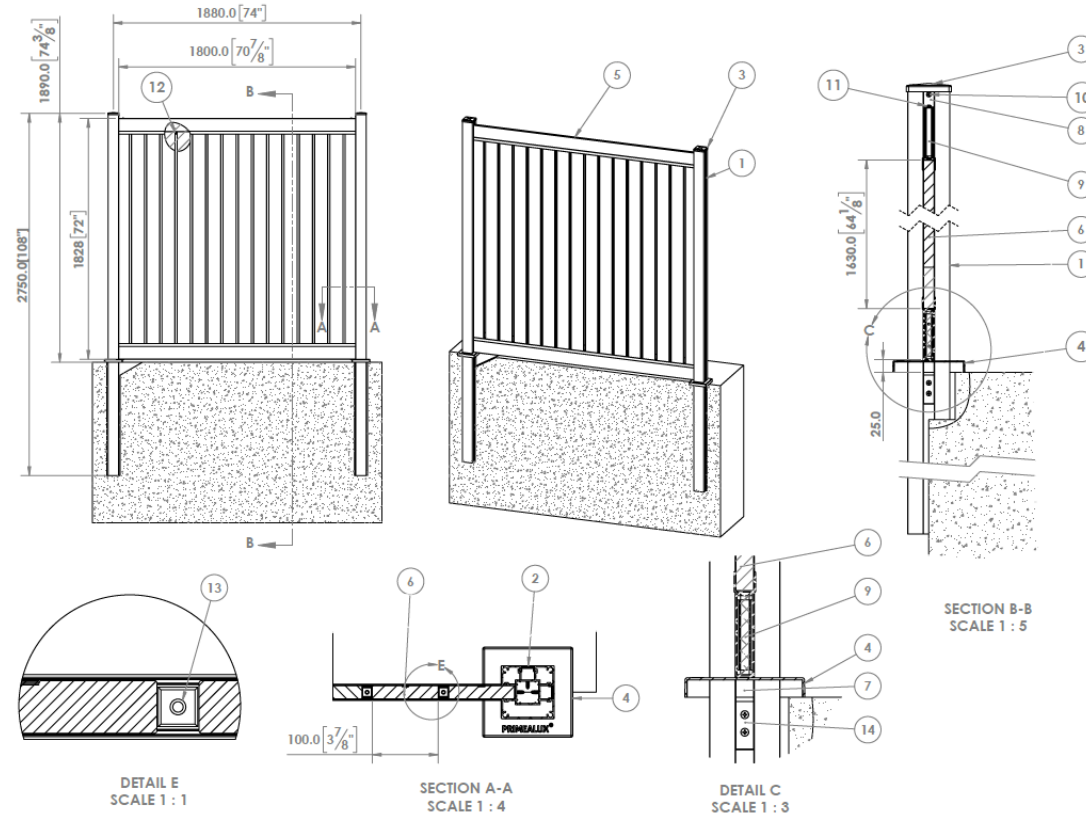
NOTES :

- DIMENSIONS IN BRACKETS [] ARE IN INCHES.
- TOLERANCES: LINEAR: +1 mm or [1/16"], ANGULAR: +1 Deg.
- CONSULT LOCAL CONDITIONS, CODES FOR FOUNDATION.
- INSTALLATION TO BE COMPLETED PER MANUFACTURER'S SPECIFICATION.
- THIS DRAWING IS PROVIDED FOR PLANNING PURPOSES ONLY.
- SIZES ARE APPROXIMATED AND COULD VARY DEPENDING ON THE SYSTEM OF CHOICE, PLEASE REFER TO THE INSTALLATION MANUAL FOR MORE DETAILED DIMENSIONS.
- OVERALL WIDTH IS MEASURED FROM POST CENTER TO POST CENTER.

PrimeAlux Aluminum Fence BOM Semi-Privacy Vertical Underground

Base plate covers are optional but do provide a clean post at base!

ITEM NO.	DESCRIPTION	CODE	SIZE (mm-inches)	QTY	FIGURE
1	POST	P809	2750 108 1/4"	1	
2	6' POST COVER	PC06	1890 74 3/8"	1	
3	POST CAP	BPC	—	1	
4	BASE PLATE CAP	BC80	—	1	
5	RAIL (TOP/BOTTOM)	FRV06	1800 70 7/8"	2	
6	ALU SLAT 6" VERTICAL	S10064	1630 64 1/8"	16	
7	BOTTOM SPACER	SP025	25 1"	2	
8	TOP SPACER TO BE DRILLED ON SITE	SP035	35 mm 1 3/8"	2	
9	RAIL BRACKET 4"	RB4	90 3 5/16"	4	
10	PAN HEAD SCREW	FS4232	m4.2x32mm	2	
11	PAN HEAD SCREW	FS4219	m4.2x19mm	4	
12	VERTICAL SPACER	SPV015	15 mm 5/8"	15	
13	EPDM SPACER	SP005	5 3/16"	15	
14	ANGLE BRACKET (COMES PRE ASSEMBLED)	AB020	20 13/16"	3	



PRIMEALUX

TITLE : W 6' x H 6' UNDER GROUND SEMI PRIVACY VERTICAL FENCE

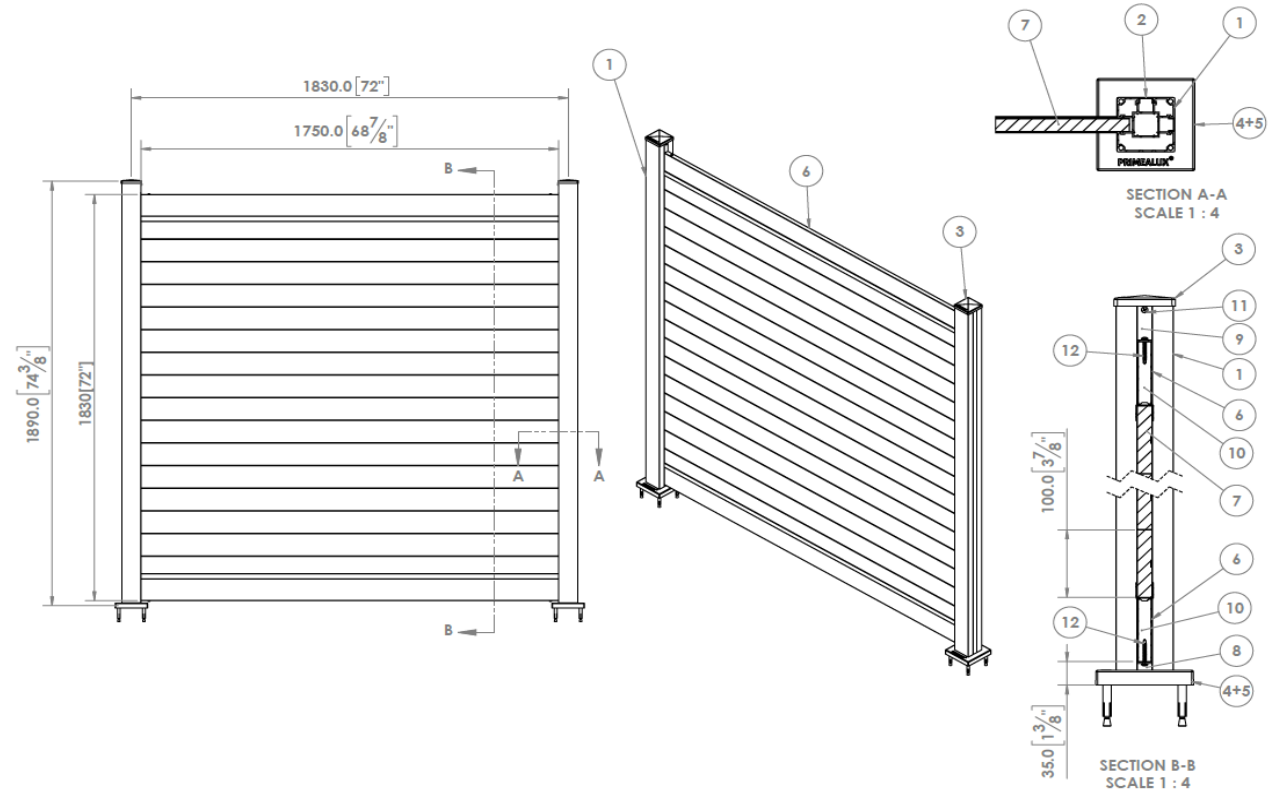
email: Info@primealux.com
website: www.primealux.com

NOTES :

- DIMENSIONS IN BRACKETS [] ARE IN INCHES.
- TOLERANCES: LINEAR: +-1 mm or [1/16"], ANGULAR: +-1 Deg.
- CONSULT LOCAL CONDITIONS, CODES FOR FOUNDATION.
- INSTALLATION TO BE COMPLETED PER MANUFACTURER'S SPECIFICATION.
- THIS DRAWING IS PROVIDED FOR PLANNING PURPOSES ONLY.
- SIZES ARE APPROXIMATED AND COULD VARY DEPENDING ON THE SYSTEM OF CHOICE, PLEASE REFER TO THE INSTALLATION MANUAL FOR MORE DETAILED DIMENSIONS.
- OVERALL WIDTH IS MEASURED FROM POST CENTER TO POST CENTER.

PrimeAlux Aluminum Fence BOM Privacy Horizontal On Ground

ITEM NO.	DESCRIPTION	CODE	SIZE (mm-inches)	QTY	FIGURE
1	POST	P8006	1890 74 3/8"	1	
2	6' POST COVER	PC06	1890 74 3/8"	1	
3	POST CAP	CP80	—	1	
4	BASE PLATE ASM	BPC	—	1	
5	BASE PLATE CAP	BC80	—	1	
6	RAIL (TOP/BOTTOM)	FR06	1750 68 7/8"	2	
7	ALU SLAT 6" HORIZONTAL	S10070	1785 70 1/4"	16	
8	BOTTOM SPACER	SP025	25 1"	2	
9	TOP SPACER TO BE DRILLED ON SITE	SP060	60 2 1/2"	2	
10	RAIL BRACKET 4"	RB4	90 3 35/64"	4	
11	Pan head screw	F34232	m4.2x32 mm	2	
12	Pan head screw	F34219	m4.2x19 mm	4	



TITLE : W 6' x H 6' PRIVACY HORIZONTAL FENCE

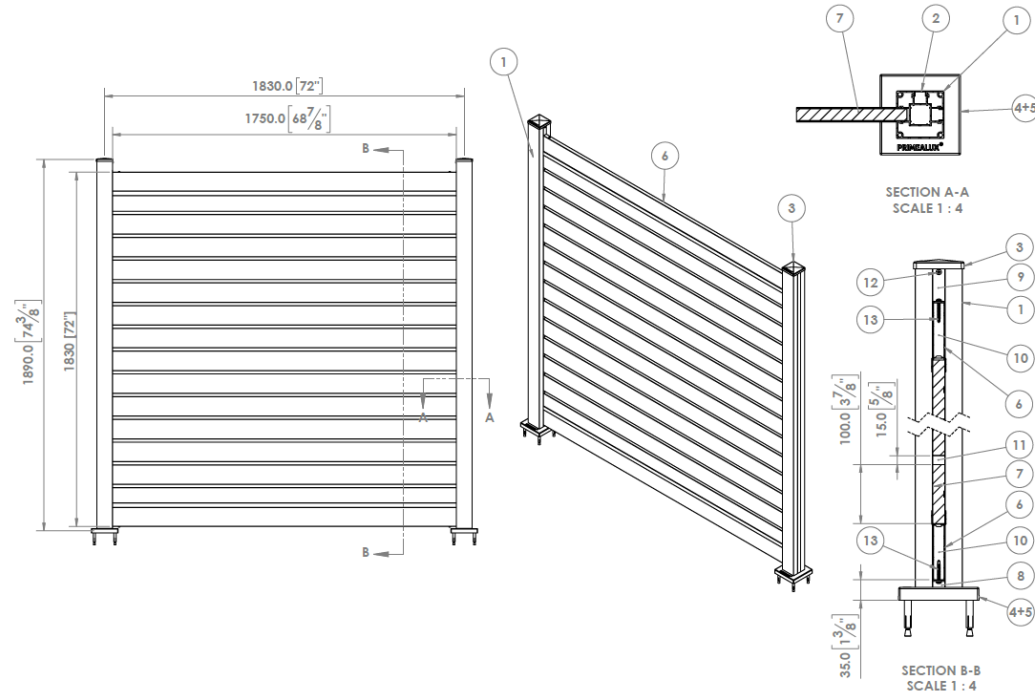
email: Info@primealux.com
website: www.primealux.com

NOTES :

- DIMENSIONS IN BRACKETS [] ARE IN INCHES.
- TOLERANCES: LINEAR: +1 mm or [1/16"], ANGULAR: +1 Deg.
- CONSULT LOCAL CONDITIONS, CODES FOR FOUNDATION.
- INSTALLATION TO BE COMPLETED PER MANUFACTURER'S SPECIFICATION.
- THIS DRAWING IS PROVIDED FOR PLANNING PURPOSES ONLY.
- SIZES ARE APPROXIMATED AND COULD VARY DEPENDING ON THE SYSTEM OF CHOICE, PLEASE REFER TO THE INSTALLATION MANUAL FOR MORE DETAILED DIMENSIONS.
- OVERALL WIDTH IS MEASURED FROM POST CENTER TO POST CENTER.

PrimeAlux Aluminum Fence BOM Semi-Privacy Horizontal On Ground

ITEM NO.	DESCRIPTION	CODE	SIZE (mm-inches)	QTY	FIGURE
1	POST	P8006	1890 74 3/8"	1	
2	6' POST COVER	PC06	1890 74 3/8"	1	
3	POST CAP	CP80	—	1	
4	BASE PLATE ASM	BPC	—	1	
5	BASE PLATE CAP	BP80	—	1	
6	RAIL (TOP/BOTTOM)	FR06	1750 68 7/8"	2	
7	ALU SLAT 6' HORIZONTAL	S10070	1785 70 1/4"	14	
8	BOTTOM SPACER	SP025	25 1"	2	
9	TOP SPACER TO BE DRILLED ON SITE	SP070	70 2 3/4"	2	
10	RAIL BRACKET 4"	RB4	90 3 35/64"	4	
11	SPACER	SP015	15 5/8"	26	
12	PAN HEAD SCRWW	F54232	m4.2x322 mm	2	
13	PAN HEAD SCRWW	F54219	m4.2x19 mm	8	



TITLE : W 6' x H 6' SEMI PRIVACY HORIZONTAL FENCE

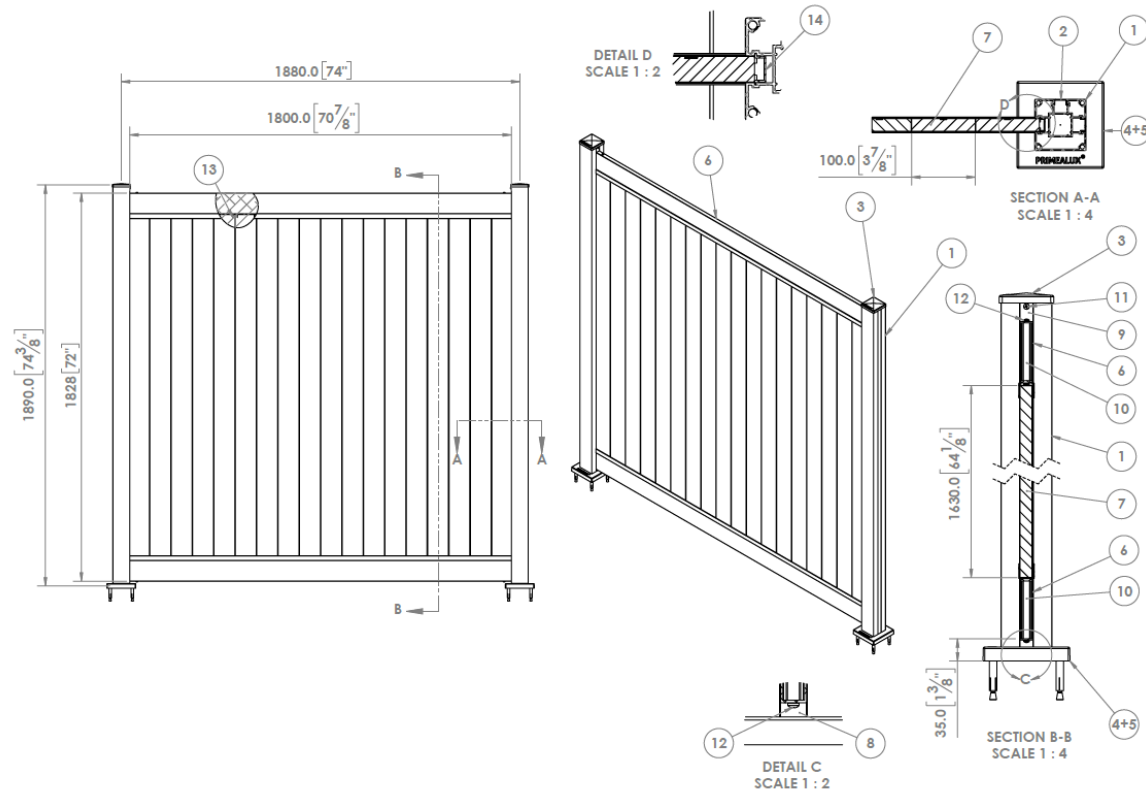
email: Info@primealux.com
website: www.primealux.com

NOTES :

- DIMENSIONS IN BRACKETS [] ARE IN INCHES.
- TOLERANCES: LINEAR: +-1 mm or [1/16"] ANGULAR: +-1 Deg.
- CONSULT LOCAL CONDITIONS. CODES FOR FOUNDATION.
- INSTALLATION TO BE COMPLETED PER MANUFACTURER'S SPECIFICATION.
- THIS DRAWING IS PROVIDED FOR PLANNING PURPOSES ONLY.
- SIZES ARE APPROXIMATED AND COULD VARY DEPENDING ON THE SYSTEM OF CHOICE, PLEASE REFER TO THE INSTALLATION MANUAL FOR MORE DETAILED DIMENSIONS.
- OVERALL WIDTH IS MEASURED FROM POST CENTER TO POST CENTER.

PrimeAlux Aluminum Fence BOM Privacy Vertical On Ground

ITEM NO.	DESCRIPTION	CODE	SIZE (mm-inches)	QTY	FIGURE
1	POST	P8006	1890 74 3/8"	1	
2	6' POST COVER	PC06	1890 74 3/8"	1	
3	POST CAP	BPC	—	1	
4	BASE PLATE ASM	BPK80	—	1	
5	BASE PLATE CAP	BC80	—	1	
6	RAIL (TOP/BOTTOM)	FRV06	1800 70 7/8"	2	
7	ALU SLAT 6' VERTICAL	S10064	1630 64 1/8"	18	
8	BOTTOM SPACER	SP025	25 1"	2	
9	TOP SPACER TO BE DRILLED ON SITE	SP035	35 mm 1 3/8"	2	
10	RAIL BRACKET 4"	RB4	90 3 5/16"	4	
11	PAN HEAD SCREW	FS4232	m4.2x32mm	2	
12	PAN HEAD SCREW	FS4219	m4.2x19mm	4	
13	VERTICAL SPACER	SPV015	15 mm 5/8"	17	
14	POST COVER (FLIPPED)	PC053	1620 63 3/4"	2	



PRIMEALUX

TITLE : W 6' x H 6' PRIVACY VERTICAL FENCE

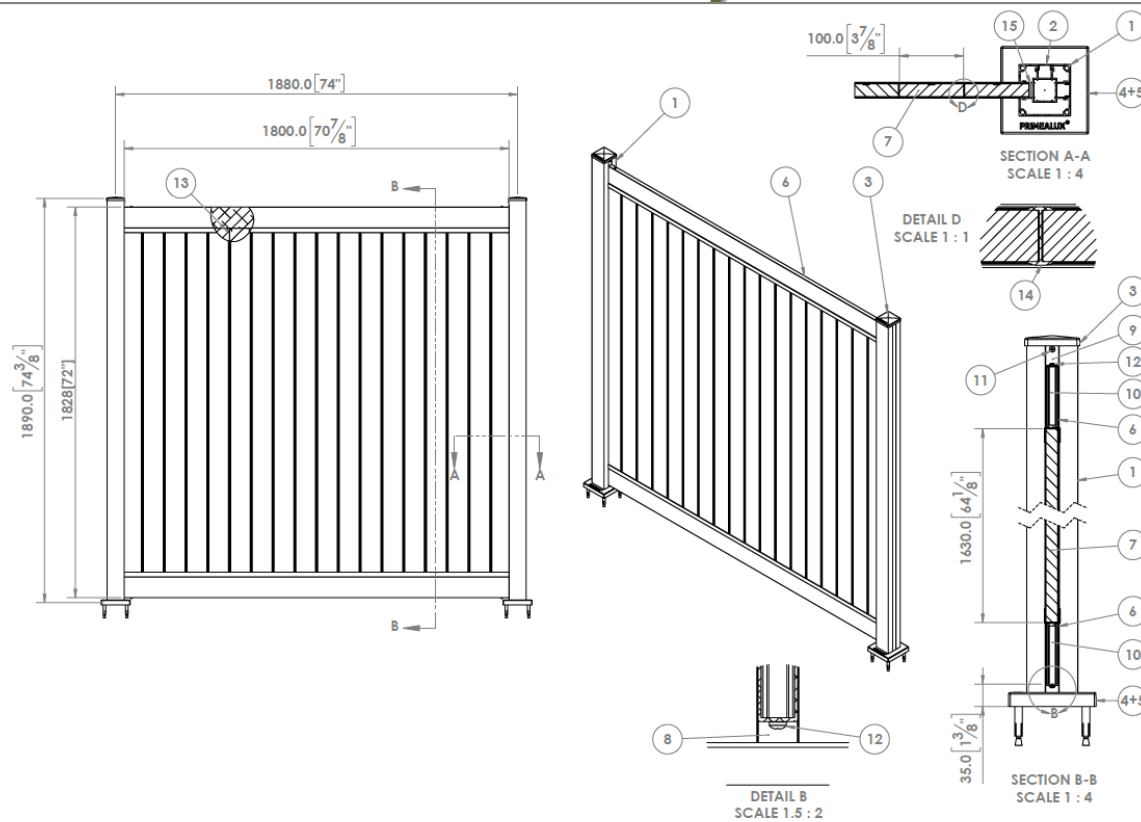
email: Info@primealux.com
website: www.primealux.com

NOTES :

- DIMENSIONS IN BRACKETS [] ARE IN INCHES.
- TOLERANCES: LINEAR: +1 mm or [1/16"], ANGULAR: +-1 Deg.
- CONSULT LOCAL CONDITIONS, CODES FOR FOUNDATION.
- INSTALLATION TO BE COMPLETED PER MANUFACTURER'S SPECIFICATION.
- THIS DRAWING IS PROVIDED FOR PLANNING PURPOSES ONLY.
- SIZES ARE APPROXIMATED AND COULD VARY DEPENDING ON THE SYSTEM OF CHOICE, PLEASE REFER TO THE INSTALLATION MANUAL FOR MORE DETAILED DIMENSIONS.
- OVERALL WIDTH IS MEASURED FROM POST CENTER TO POST CENTER.

PrimeAlux Aluminum Fence BOM Privacy-Plus Vertical On Ground

ITEM NO.	DESCRIPTION	CODE	SIZE (mm-inches)	QTY	FIGURE
1	POST	P8006	1890 74 3/8"	1	
2	6" POST COVER	PC06	1890 74 3/8"	1	
3	POST CAP	CP80	—	1	
4	BASE PLATE ASM	BPC	—	1	
5	BASE PLATE CAP	BC80	—	1	
6	RAIL (TOP/BOTTOM)	FRV06	1800 70 7/8"	2	
7	ALU SLAT 6" VERTICAL	S10064	1630 64 1/8"	18	
8	BOTTOM SPACER	SP025	25 1"	2	
9	TOP SPACER TO BE DRILLED ON SITE	SP035	35 mm 1 3/8"	2	
10	RAIL BRACKET 4"	RB4	90 3 35/64"	4	
11	PAN HEAD SCREW	FS4232	m4.2x32mm	2	
12	PAN HEAD SCREW	FS4219	m4.2x19mm	4	
13	SPACER VERTICAL	SPV015	15 mm 5/8"	17	
14	H RAIL	HV06	1590 62 5/8"	17	
15	SPACER	SP005	5 3/16"	6	



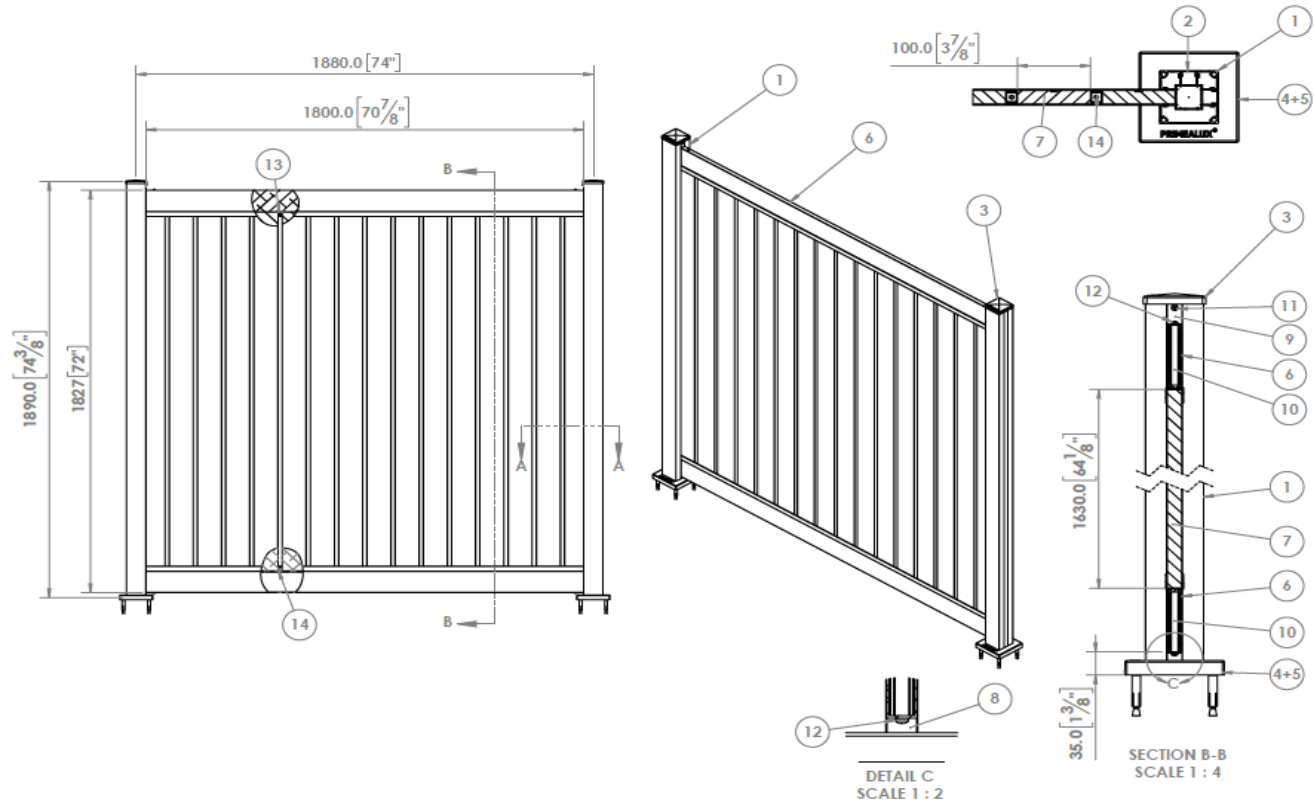
TITLE : W 6' x H 6' PRIVACY PLUS VERTICAL FENCE

email: Info@primealux.com
 website: www.primealux.com

NOTES :
 -UNLESS OTHERWISE SPECIFIED: DIMENSIONS ARE IN MILLIMETERS.
 -DIMENSIONS IN BRACKETS [] ARE IN INCHES.
 -TOLERANCES: LINEAR: +-1 mm or [1/16"], ANGULAR: +-1 Deg.
 -CONSULT LOCAL CONDITIONS, CODES FOR FOUNDATION.
 -INSTALLATION TO BE COMPLETED PER MANUFACTURER'S SPECIFICATION.
 -THIS DRAWING IS PROVIDED FOR PLANNING PURPOSES ONLY.

PrimeAlux Aluminum Fence BOM Semi-Privacy Vertical On Ground

ITEM NO.	DESCRIPTION	CODE	SIZE (mm-inches)	QTY	FIGURE
1	POST	P8006	1890 74 3/8"	1	
2	6' POST COVER	PC06	1890 74 3/8"	1	
3	POST CAP	CP80	—	1	
4	BASE PLATE ASM	BPC	—	1	
5	BASE PLATE CAP	BC80	—	1	
6	RAIL (TOP/BOTTOM)	FRV06	1800 70 7/8"	2	
7	ALU SLAT 6' VERTICAL	S10064	1630 64 1/8"	16	
8	BOTTOM SPACER	SP025	25 1"	2	
9	TOP SPACER TO BE DRILLED ON SITE	SP035	35 mm 1 3/8"	2	
10	RAIL BRACKET 4"	RB4	90 3 5/8"	4	
11	PAN HEAD SCREW	FS4232	m4.2x32mm	2	
12	PAN HEAD SCREW	FS4219	m4.2x19mm	4	
13	TOP VERTICAL SPACER	SPV015	15 mm 5/8"	15	
14	EPDM SPACER	SPD015	15 mm 5/8"	15	



PRIMEALUX

TITLE : W 6' x H 6' SEMI PRIVACY VERTICAL FENCE

email: Info@primealux.com
website: www.primealux.com

NOTES :

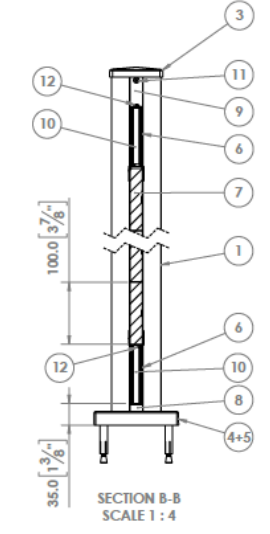
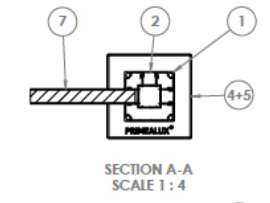
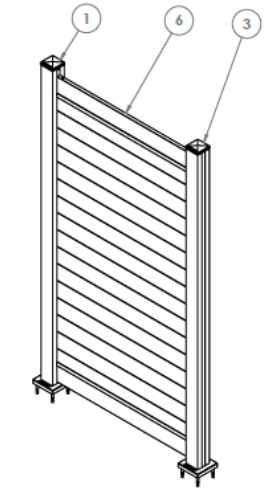
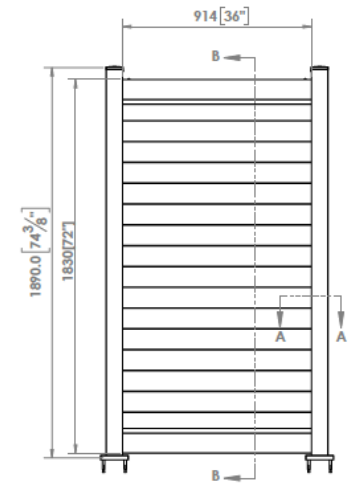
- DIMENSIONS IN BRACKETS [] ARE IN INCHES.
- TOLERANCES: LINEAR: +-1 mm or [1/16"], ANGULAR: +-1 Deg.
- CONSULT LOCAL CONDITIONS, CODES FOR FOUNDATION.
- INSTALLATION TO BE COMPLETED PER MANUFACTURER'S SPECIFICATION.
- THIS DRAWING IS PROVIDED FOR PLANNING PURPOSES ONLY.
- SIZES ARE APPROXIMATED AND COULD VARY DEPENDING ON THE SYSTEM OF CHOICE, PLEASE REFER TO THE INSTALLATION MANUAL FOR MORE DETAILED DIMENSIONS.
- OVERALL WIDTH IS MEASURED FROM POST CENTER TO POST CENTER.

PrimeAlux Aluminum Fence BOM Privacy Screens 3 x 6

W 3' x H 6' PRIVACY SCREEN					
ITEM NO.	DESCRIPTION	CODE	SIZE (mm-inches)	QTY	FIGURE
1	POST	P8006	1890 74 3/8"	2	
2	6' POST COVER	PC06	1890 74 3/8"	4	
3	POST CAP	CP80	—	2	
4	BASE PLATE ASM	BPC	—	2	
5	BASE PLATE CAP	BC80	—	2	
6	RAIL (TOP/BOTTOM)	PSR03	914 36"	2	
7	ALU SLAT 3' HORIZONTAL	S10037	949 37 3/8"	14	
8	BOTTOM SPACER	SP025	25 1"	2	
9	TOP SPACER TO BE DRILLED ON SITE	SP060	0	2	
10	RAIL BRACKET 4"	RB4	90 3 35/64"	4	
11	Pan head screw	F54232	m4x30 mm	2	
12	Pan head screw	F54219	m4x19 mm	4	

W 3' x H 6' PRIVACY PLUS SCREEN					
ITEM NO.	DESCRIPTION	CODE	SIZE (mm-inches)	QTY	FIGURE
1	POST	P8006	1890 74 3/8"	2	
2	6' POST COVER	PC06	1890 74 3/8"	4	
3	POST CAP	CP80	—	2	
4	BASE PLATE ASM	BPC	—	2	
5	BASE PLATE CAP	BC80	—	2	
6	RAIL (TOP/BOTTOM)	PSR03	914 36"	2	
7	ALU SLAT 3' HORIZONTAL	S10037	949 37 3/8"	16	
8	BOTTOM SPACER	SP025	25 1"	2	
9	TOP SPACER TO BE DRILLED ON SITE	SP045	45 1 3/4"	2	
10	RAIL BRACKET 4"	RB4	90 3 35/64"	4	
11	Pan head screw	F54232	m4x30 mm	2	
12	Pan head screw	F54219	m4x19 mm	4	
13	H RAIL	HH03	834 32 7/8"	15	

W 3' x H 6' SEMI PRIVACY SCREEN					
ITEM NO.	DESCRIPTION	CODE	SIZE (mm-inches)	QTY	FIGURE
1	POST	P8006	1890 74 3/8"	2	
2	6' POST COVER	PC06	1890 74 3/8"	4	
3	POST CAP	CP80	—	2	
4	BASE PLATE ASM	BPC	—	2	
5	BASE PLATE CAP	BC80	—	2	
6	RAIL (TOP/BOTTOM)	PSR03	914 36"	2	
7	ALU SLAT 3' HORIZONTAL	S10037	949 37 3/8"	14	
8	BOTTOM SPACER	SP025	25 1"	2	
9	TOP SPACER TO BE DRILLED ON SITE	SP070	70 2 3/4"	2	
10	RAIL BRACKET 4"	RB4	90 3 35/64"	4	
11	Pan head screw	F54232	m4x30 mm	2	
12	Pan head screw	F54219	m4x19 mm	4	
13	SPACER	SP015	15 5/8"	26	



TITLE : W 3' x H 6' PRIVACY SCREEN
(WITH KITS FOR PRIVACY PLUS AND SEMI PRIVACY SYSTEM)

email: Info@primealux.com
website: www.primealux.com

NOTES :

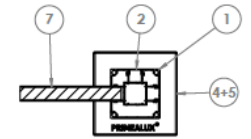
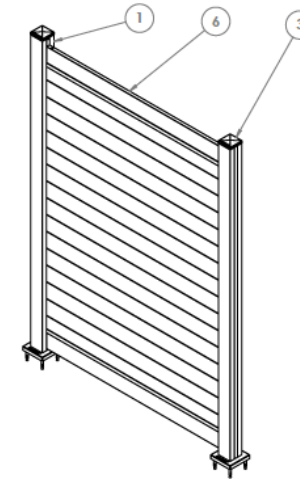
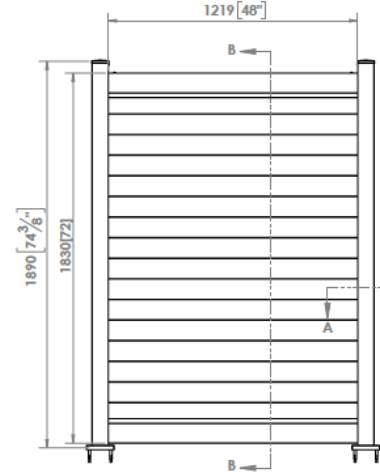
- DIMENSIONS IN BRACKETS [] ARE IN INCHES.
- TOLERANCES: LINEAR: +-1 mm or [1/16\"/>

PrimeAlux Aluminum Fence BOM Privacy Screens 4 x 6

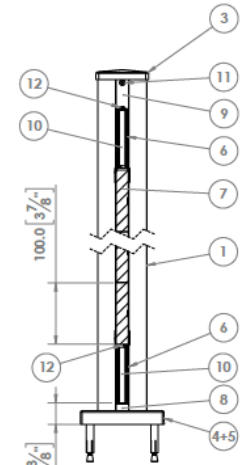
W 4' x H 4' PRIVACY SCREEN					
ITEM NO.	DESCRIPTION	CODE	SIZE (mm/inches)	QTY	FIGURE
1	POST	P8006	1890 74 3/8"	2	
2	6' POST COVER	PC06	1890 74 3/8"	4	
3	POST CAP	CP80	—	2	
4	BASE PLATE ASM	BPC	—	2	
5	BASE PLATE CAP	BC80	—	2	
6	RAIL (TOP/BOTTOM)	PSR04	1219 48"	2	
7	ALU SLAT 4' HORIZONTAL	S10049	1254 49 3/8"	16	
8	BOTTOM SPACER	SP025	25 1"	2	
9	TOP SPACER TO BE DRILLED ON SITE	SP040	60 2 3/8"	2	
10	RAIL BRACKET 4"	RB4	90 3 5/8"	4	
11	Pan head screw	F34232	m4.2x32 mm	2	
12	Pan head screw	F34219	m4.2x19 mm	4	

W 4' x H 4' PRIVACY PLUS SCREEN					
ITEM NO.	DESCRIPTION	CODE	SIZE (mm/inches)	QTY	FIGURE
1	POST	P8006	1890 74 3/8"	2	
2	6' POST COVER	PC06	1890 74 3/8"	4	
3	POST CAP	CP80	—	2	
4	BASE PLATE ASM	BPC	—	2	
5	BASE PLATE CAP	BC80	—	2	
6	RAIL (TOP/BOTTOM)	PSR04	1219 48"	2	
7	ALU SLAT 4' HORIZONTAL	S10049	1254 49 3/8"	16	
8	BOTTOM SPACER	SP025	25 1"	2	
9	TOP SPACER TO BE DRILLED ON SITE	SP045	45 1 3/4"	2	
10	RAIL BRACKET 4"	RB4	90 3 5/8"	4	
11	Pan head screw	F34232	m4.2x32 mm	2	
12	Pan head screw	F34219	m4.2x19 mm	4	
13	H RAIL	HR04	1139 44 7/8"	15	

W 4' x H 4' SEMI PRIVACY SCREEN					
ITEM NO.	DESCRIPTION	CODE	SIZE (mm/inches)	QTY	FIGURE
1	POST	P8006	1890 74 3/8"	2	
2	6' POST COVER	PC06	1890 74 3/8"	4	
3	POST CAP	CP80	—	2	
4	BASE PLATE ASM	BPC	—	2	
5	BASE PLATE CAP	BC80	—	2	
6	RAIL (TOP/BOTTOM)	PSR04	1219 48"	2	
7	ALU SLAT 4' HORIZONTAL	S10049	1254 49 3/8"	14	
8	BOTTOM SPACER	SP025	25 1"	2	
9	TOP SPACER TO BE DRILLED ON SITE	SP070	70 2 3/4"	2	
10	RAIL BRACKET 4"	RB4	90 3 5/8"	4	
11	Pan head screw	F34232	m4.2x32 mm	2	
12	Pan head screw	F34219	m4.2x19 mm	4	
13	SPACER	SP015	15 5/8"	26	



SECTION A-A
SCALE 1 : 4



SECTION B-B
SCALE 1 : 4



TITLE : W 4' x H 6' PRIVACY SCREEN
(WITH KITS FOR PRIVACY PLUS AND SEMI PRIVACY SYSTEM)

email: Info@primealux.com
website: www.primealux.com

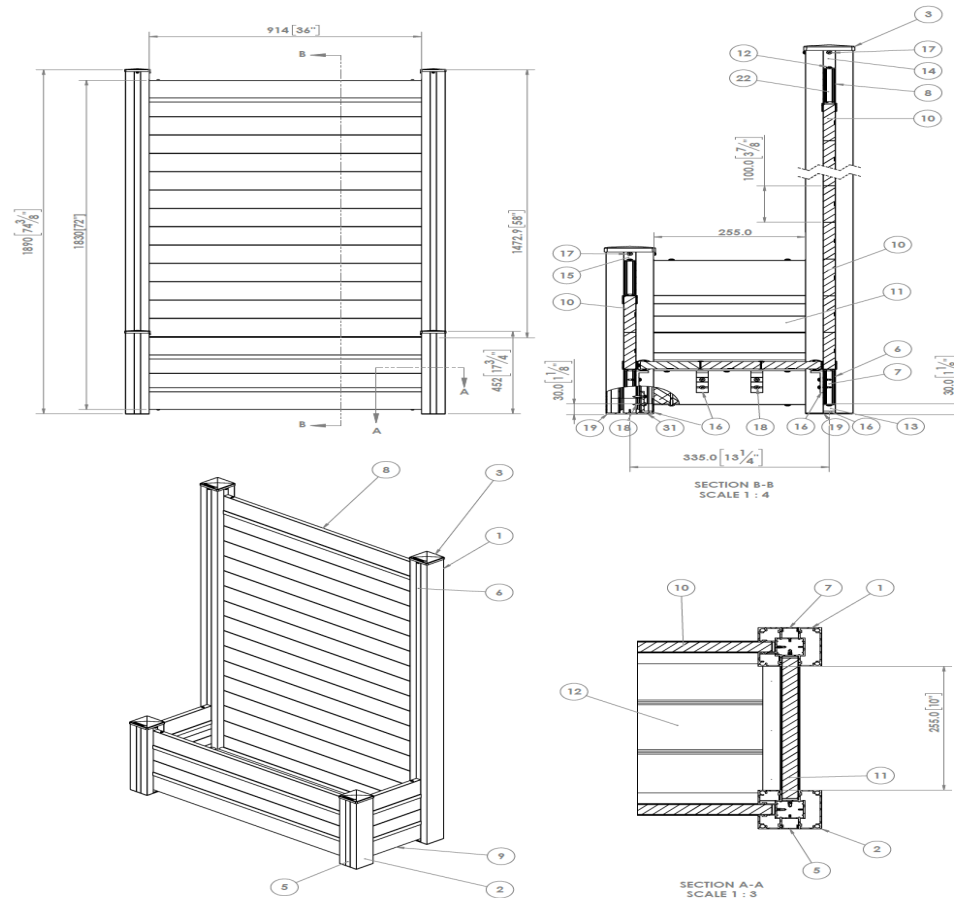
NOTES :

- DIMENSIONS IN BRACKETS [] ARE IN INCHES.
- TOLERANCES: LINEAR: +1 mm or [1/16"], ANGULAR: +1 Deg.
- CONSULT LOCAL CONDITIONS, CODES FOR FOUNDATION.
- INSTALLATION TO BE COMPLETED PER MANUFACTURER'S SPECIFICATION.
- THIS DRAWING IS PROVIDED FOR PLANNING PURPOSES ONLY.
- SIZES ARE APPROXIMATED AND COULD VARY DEPENDING ON THE SYSTEM OF CHOICE, PLEASE REFER TO THE INSTALLATION MANUAL FOR MORE DETAILED DIMENSIONS.
- OVERALL WIDTH IS MEASURED FROM POST CENTER TO POST CENTER.

PrimeAlux Aluminum Fence BOM Privacy Screens

Planters

W 3' x H 6' PRIVACY PLUS SCREEN WITH PLANTER					
ITEM NO.	DESCRIPTION	CODE	SIZE (mm/INCHES)	QTY	FIGURE
1	POST	PB004	1890 74 3/8"	2	
2	POST	PB0015	452 17 3/4"	2	
3	POST CAP	CF80	—	4	
4	4" POST COVER	PC04	1890 74 3/8"	2	
5	1.5" Post Cover	PC015	452 17 3/4"	2	
6	4.8" Post Cover	PC048	1473 58"	2	
7	Rail Bracket 4"	RB4	90 3 5/8"	16	
8	3" RAIL	PSR03	914 36"	4	
9	1" Rail	PSR01	255 10"	4	
10	3" Slat	S10037	949 37 3/8"	16	
11	1" Slat	S10011	290 11 3/8"	4	
12	ASM PLANTER BASE	PB31	—	1	
13	Bottom Spacer	SP20	20 13/16"	8	
14	Screen Top Spacer to be Drill on site	SP50	60 2 3/8"	2	
15	Planter Top Spacer to be Drill on Site	SP35	35 1 3/8"	4	
16	Angle Bracket	AB020	20 13/16"	16	
17	Pin Head Screw	F54232	m4.2x32 (mm)	8	
18	Pin Head Screw	F54219	m4.2x19 (mm)	76	
19	BOTTOM POST CAP	PC880	—	4	



TITLE : W 3' x H 6' PRIVACY SCREEN WITH W 3' x H 1.5' x D 1" PLANTER

email: info@primealux.com
website: www.primealux.com

NOTES :

- DIMENSIONS IN BRACKETS [] ARE IN INCHES.
- TOLERANCES: LINEAR: +1 mm or (1/16"), ANGULAR: +1 Deg.
- CONSULT LOCAL CONDITIONS, CODES FOR FOUNDATION.
- INSTALLATION TO BE COMPLETED PER MANUFACTURER'S SPECIFICATION.
- THIS DRAWING IS PROVIDED FOR PLANNING PURPOSES ONLY.
- SIZES ARE APPROXIMATED AND COULD VARY DEPENDING ON THE SYSTEM OF CHOICE. PLEASE REFER TO THE INSTALLATION MANUAL FOR MORE DETAILED DIMENSIONS.
- OVERALL WIDTH & DEPTH IS MEASURED FROM POST CENTER TO POST CENTER.